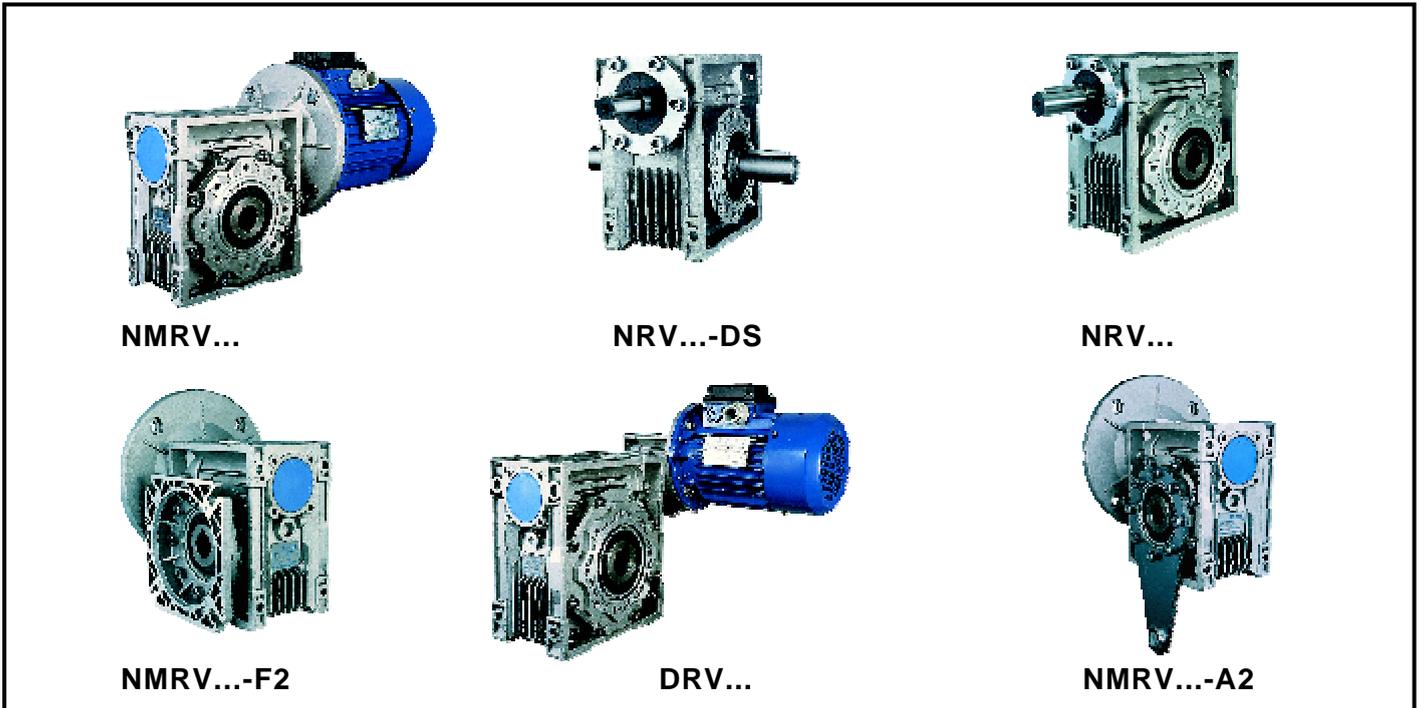
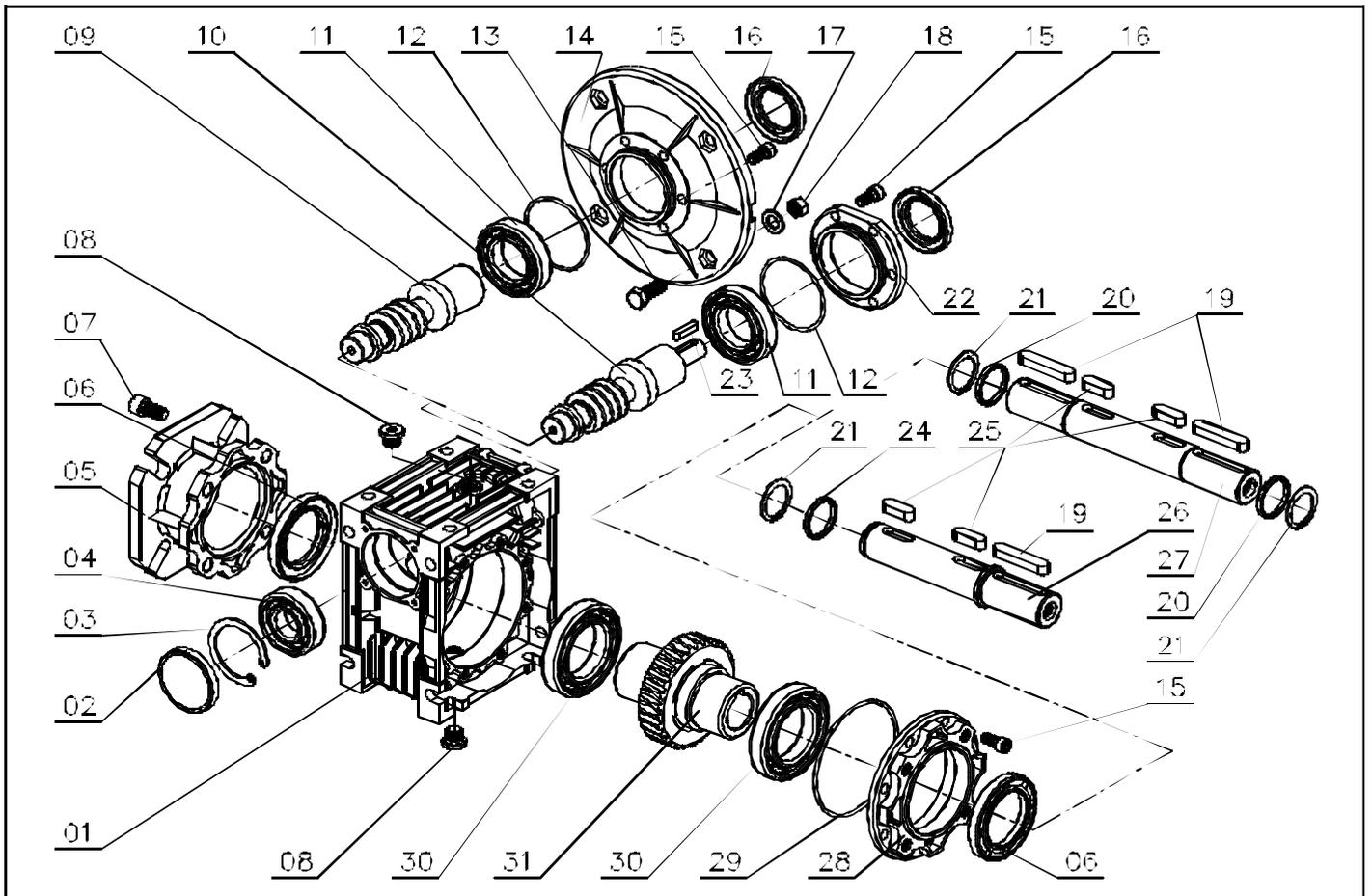


REDUCERS

RV 蜗轮减速机 RV WORM GEAR REDUCERS



部件分解图 EXPLODED VIEW



REDUCERS

NMRV系列蜗轮减速机

BRIEF INTRODUCTION TO WORM-GEAR SPEED REDUCER

蜗轮减速机简介

NMRV SERIES WORM-GEAR SPEED REDUCER

NMRV系列蜗轮减速机主要特点：

1. 优质铝合金铸造，重量轻，不生锈。
2. 输出扭矩大。
3. 传动平稳，噪音小。
4. 散热效率高。
5. 美观耐用，体积小。
6. 可适应全方位安装。

NMRV series worm-gear speed reducer's main features are as follows:

1. The case was made of high-quality aluminium alloy, light in weight and non-rusting.
2. Large in output torque.
3. Smooth in running and low in noise.
4. High in radiating efficiency.
5. Good-looking, durable in service life and small in volume.
6. Suitable for universal installation.

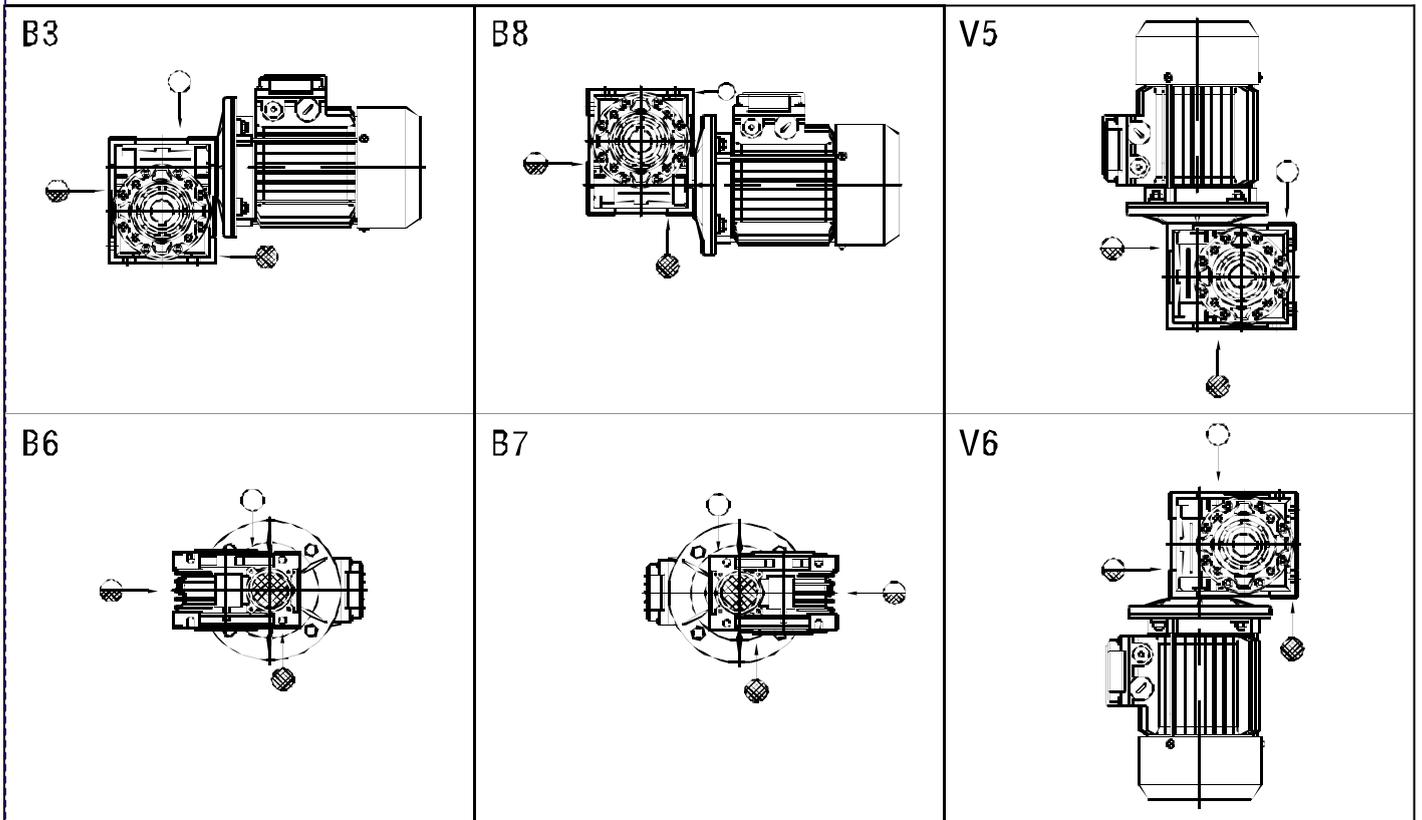
型号标记 MODEL & MARK

NMRV 063 - 40 E F1 DS 71B5 B3

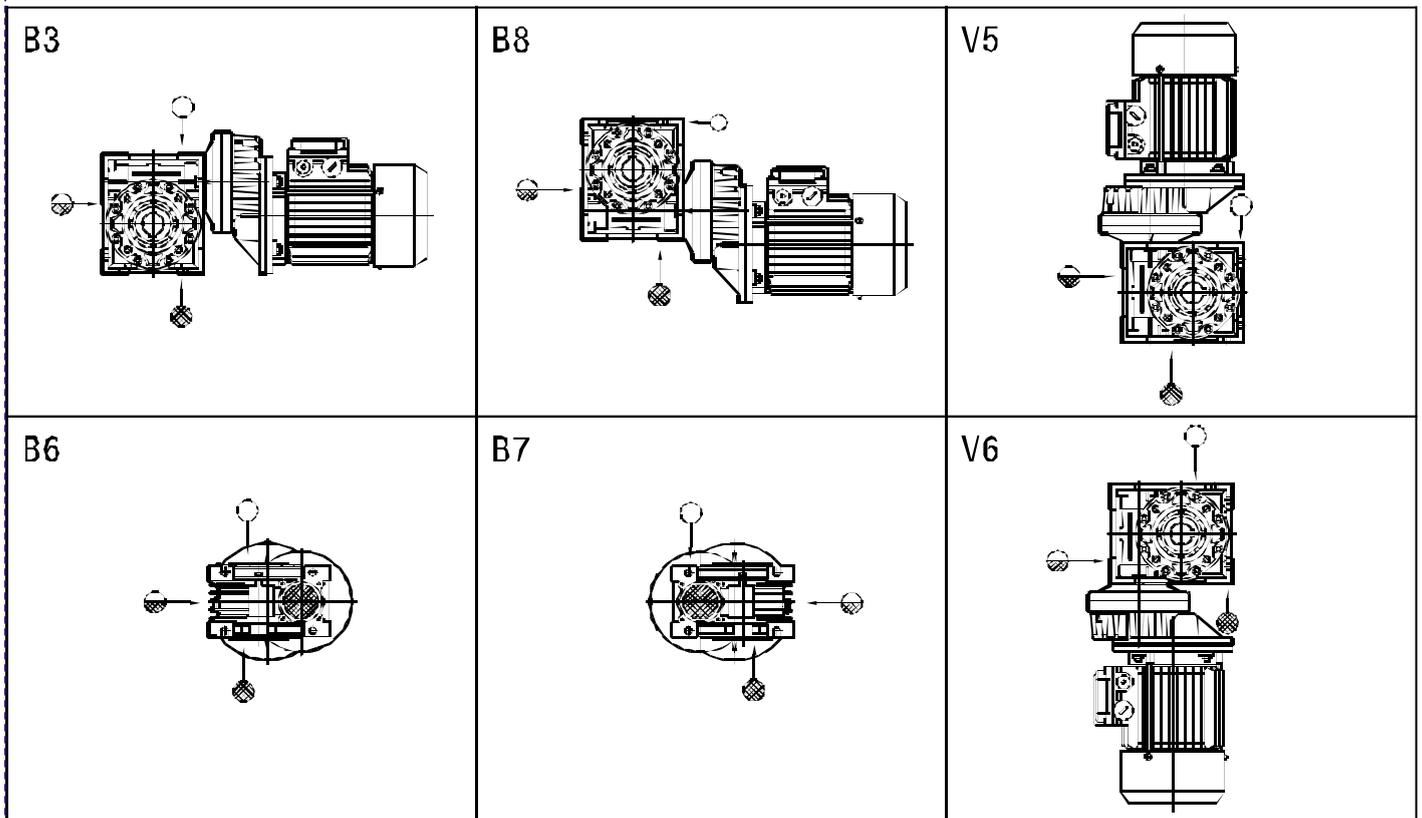
-
- Installation position code
安装方位代号
 - Motor mounting facility
电机座号和安装结构形式
 - Two-way shaft output, SS mark means one-way shaft output, and no mark means hole output.
带双向输出轴，标注“SS”为单向输出轴，不标为孔输出
 - Flange output, no mark means flangeless output
带输出法兰，不标注时为不带输出法兰
 - Double extension worm shaft, no mark means single extension worm shaft.
带蜗杆同向输出轴，不标注时不带蜗杆同向输出轴
 - Speed ratio of worm-gear speed reducer
蜗轮减速机速比
 - Centre-to-centre distance of worm-gear speed reducer
蜗轮减速机中心距
 - Code of worm-gear speed reducer
NMRV mark means Geared Motor, NRV mark means Gear Reducer
蜗轮减速机代号
(NMRV 为带输入法兰孔输入，
NRV 为不带输入法兰轴输入)。

REDUCERS

DRV安装方式 *DRV MOUNTING POSITIONS*

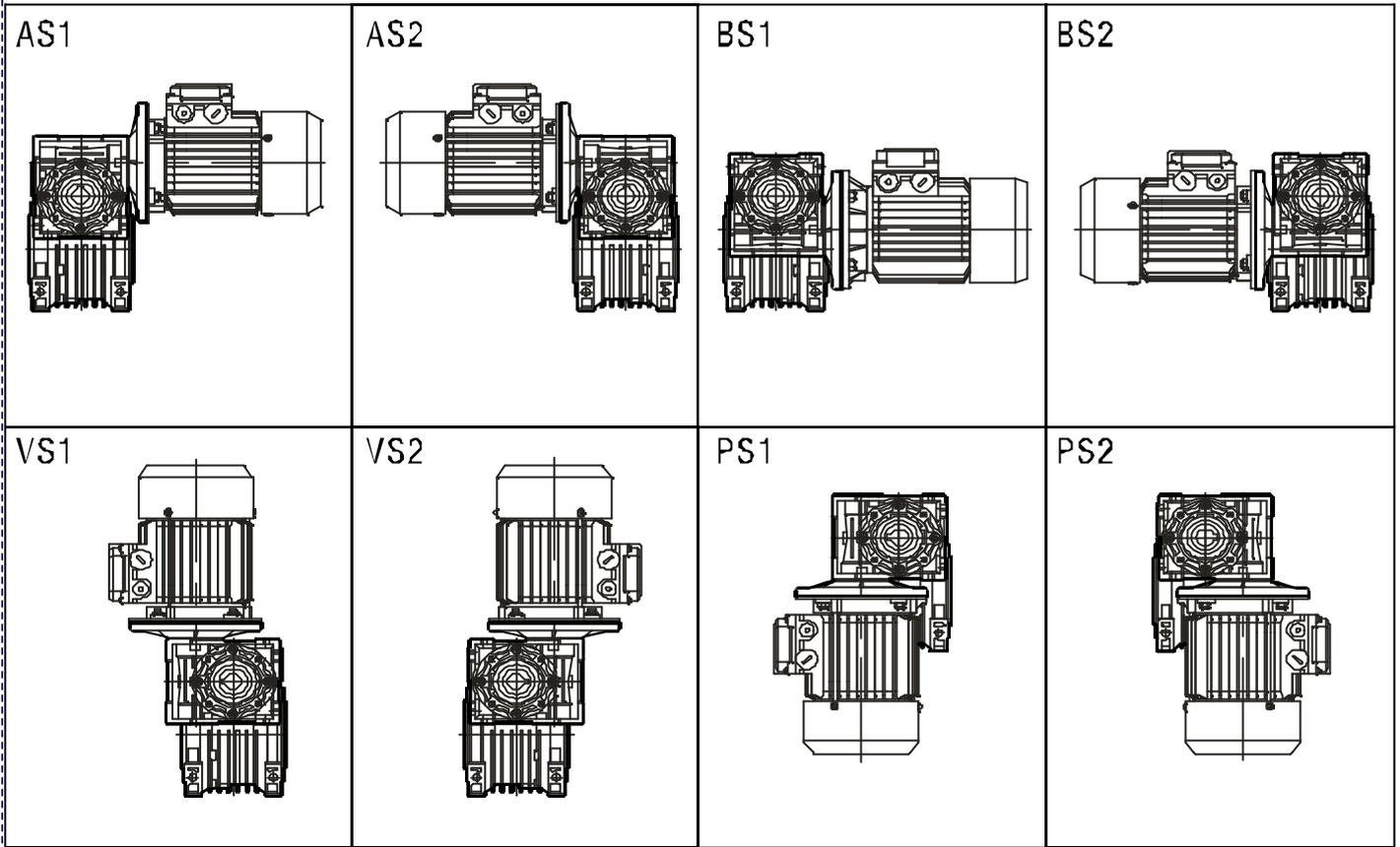


PCRV安装方式 *PCRV MOUNTING POSITIONS*



REDUCERS

DRV安装方式 DRV MOUNTING POSITIONS

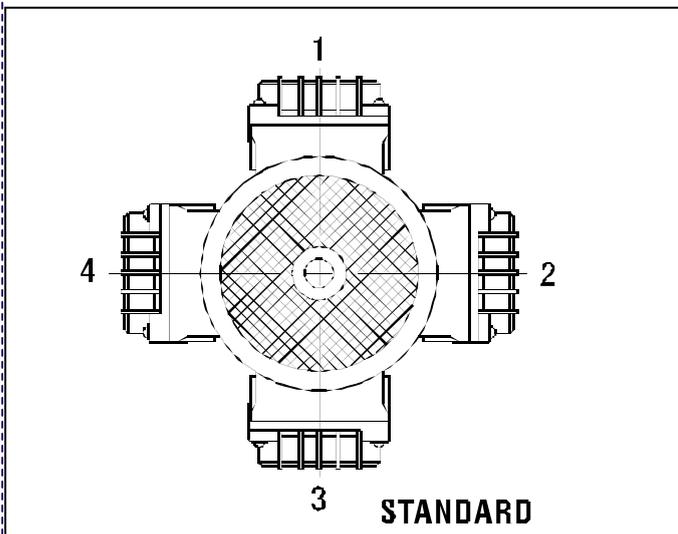


结构配置 STRUCTURE CONFIGURATION

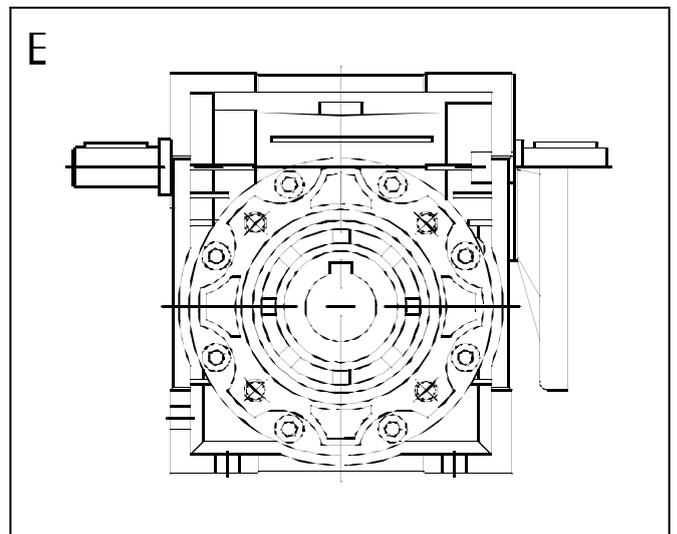
根据需耍, RV减速机可被配置: 蜗杆尾出轴 (E)、输出法兰 (F, FL)、扭力臂 (A)、蜗轮出力轴 (SS, DS)。结构件的配置方位及型式代号如以下图示:

According to requirement, rv reducers can be configured with following parts: extension worm shaft (E), output flange (F, FL), torque arm (A), output shaft of worm (SS, DS). The configuration positions and type code number of structure shown as following charts:

● 电机接线盒方位 / POSITION OF MOTOR TERMINAL BOX



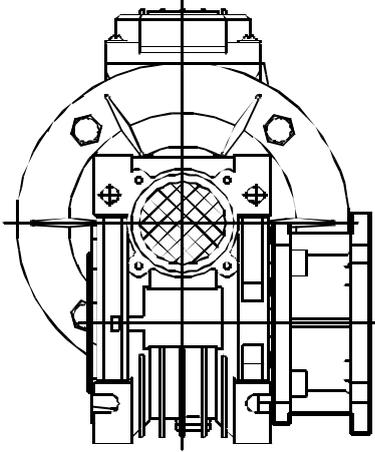
● 蜗杆尾出轴 (E) / EXTENSION INPUT OF WORM SHAFT (E)



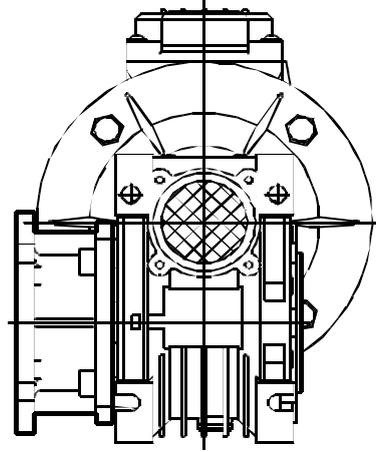
REDUCERS

输出法兰 (F) 配置 *OUTPUT FLANGE (F,FL)*

F1, FL1

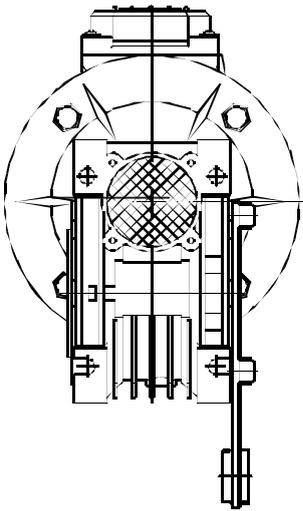


F2, FL2

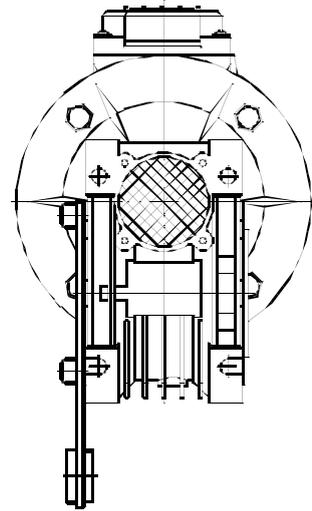


扭力臂 (A) 配置 *TORQUE ARM (A)*

A1

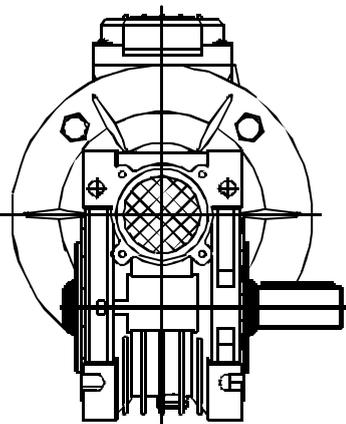


A2

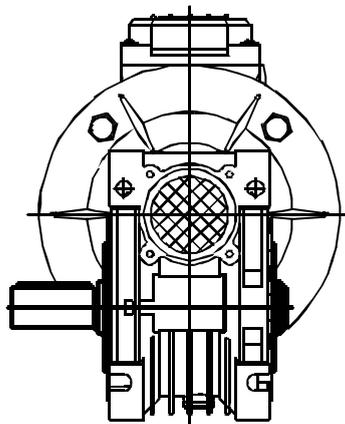


涡轮 (SS,DS) 配置 *OUTPUT SHAFT OF WORM (SS,DS)*

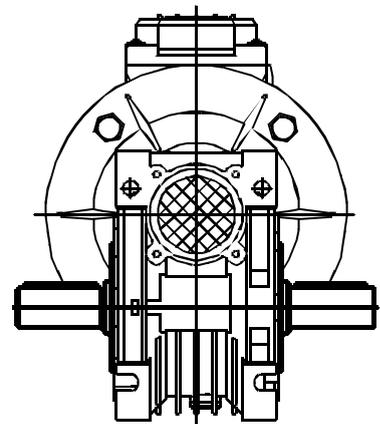
SS1



SS2



DS



REDUCERS

NMRV性能参数

NMRV PERFORMANCE PARAMETER (n1=1400r/min)

KW	TYPE	i	n ₂ (r/min)	M ₂ (N.M)
0.06KW	NMRV030	5	280	1.8
	NMRV030	7.5	186	2.6
	NMRV030	10	140	3.4
	NMRV030	15	94	4.8
	NMRV030	20	70	5.5
	NMRV030	25	56	7.2
	NMRV030	30	47	8.2
	NMRV030	40	35	8.5
	NMRV030	50	28	11.6
	NMRV040			12.4
	NMRV030	60	24	12.8
	NMRV040			12.6
	NMRV030	80	18	13.8
	NMRV040			16.8
	NMRV040	100	14	19.5
0.09KW	NMRV030	5	280	2.7
	NMRV030	7.5	186	4.0
	NMRV030	10	140	5.1
	NMRV030	15	94	7.2
	NMRV030	20	70	8.3
	NMRV030	25	56	10.7
	NMRV030	30	47	12.3
	NMRV030	40	35	12.8
	NMRV030	50	28	17.4
	NMRV040			18.6
	NMRV030	60	24	19.2
	NMRV040			19.0
	NMRV040	80	18	25.2
	NMRV040	100	14	29.3
	0.12KW	NMRV030	5	280
NMRV040		3.5		
NMRV030		7.5	186	5.3
NMRV040				5.3
NMRV030		10	140	6.8
NMRV040				8.9
NMRV030		15	94	9.6
NMRV040				9.9
NMRV030		20	70	11.0
NMRV040				13.0
NMRV030		25	56	14.3
NMRV040				15.1
NMRV030		30	47	16.4
NMRV040				16.6
NMRV030		40	35	17.0
NMRV040				21.9
NMRV050		50	28	22.7
NMRV030				23.2
NMRV040		24.7		
NMRV050		60	24	26.0
NMRV040				25.3
NMRV050	80	18	26.2	
NMRV040			33.6	
NMRV050	100	14	34.7	
NMRV040			39.0	
NMRV050	39.6			
0.18KW	NMRV030	5	280	5.4
	NMRV040			5.7

KW	TYPE	i	n ₂ (r/min)	M ₂ (N.M)
0.18KW	NMRV 030	7.5	186	7.9
	NMRV 040			7.9
	NMRV 030			10.2
	NMRV 040	10	140	10.3
	NMRV 030			14.4
	NMRV 040	15	94	14.8
	NMRV 030			16.5
	NMRV 040	20	70	19.5
	NMRV 030			21.5
	NMRV 040	25	56	22.7
	NMRV 030			24.6
	NMRV 040	30	47	24.9
	NMRV 030			32.8
	NMRV 050	40	35	34.0
	NMRV 040			37.1
NMRV 050	50	28	39.0	
NMRV 040			37.9	
NMRV 050	60	24	39.2	
NMRV 040			52.1	
NMRV 050	80	18	59.3	
0.25KW	NMRV 040	5	280	7.6
	NMRV 050			7.6
	NMRV 040	7.5	186	11.0
	NMRV 050			11.2
	NMRV 040	10	140	14.3
	NMRV 050			14.5
	NMRV 040	15	94	20.6
	NMRV 050			20.7
	NMRV 040	20	70	27.0
	NMRV 050			27.5
	NMRV 040	25	56	31.5
	NMRV 050			32.8
	NMRV 040	30	47	34.6
	NMRV 050			36.4
	NMRV 040	40	35	45.6
NMRV 050	47.3			
NMRV 050	50	28	54.1	
NMRV 050	60	24	54.5	
NMRV 050	80	18	72.4	
NMRV 063			76.7	
NMRV 063	100	14	82.8	
0.37KW	NMRV 040	5	280	11.2
	NMRV 050			11.2
	NMRV 040	7.5	186	16.3
	NMRV 050			16.6
	NMRV 040	10	140	21.2
	NMRV 050			21.5
	NMRV 040	15	94	30.5
	NMRV 050			30.6
	NMRV 040	20	70	40.0
	NMRV 050			40.7
	NMRV 040	25	56	46.6
	NMRV 050			48.7
	NMRV 040	30	47	51.2
	NMRV 050			53.8
	NMRV 050	40	35	67.0
NMRV 063	72.3			
NMRV 050	50	28	80.1	
NMRV 063			83.3	
NMRV 050	60	24	80.6	

REDUCERS

NMRV性能参数

NMRV PERFORMANCE PARAMETER (n1=1400r/min)

KW	TYPE	i	n ₂ (r/min)	M ₂ (N.M)
0.37KW	NMRV063	60	24	86.5
	NMRV063	80	18	113.5
	NMRV063	100	14	122.6
0.55KW	NMRV040	5	280	16.6
	NMRV050			16.7
	NMRV040	7.5	186	24.3
	NMRV050			24.6
	NMRV040	10	140	31.5
	NMRV050			32.0
	NMRV040	15	94	45.3
	NMRV050			45.6
	NMRV063	20	70	46.7
	NMRV050			60.5
	NMRV063	25	56	61.6
	NMRV050			72.3
	NMRV063	30	47	73.2
	NMRV050			80.0
	NMRV063	40	35	83.3
	NMRV075			104.0
	NMRV063	50	28	107.5
	NMRV075			115.7
	NMRV063	60	24	123.9
	NMRV075			124.3
NMRV063	80	18	128.6	
NMRV075			156.5	
NMRV075	100	14	215.3	
NMRV050			235.0	
0.75KW	NMRV050	5	280	22.7
	NMRV063			33.6
	NMRV050	7.5	186	33.8
	NMRV063			43.6
	NMRV050	10	140	44.5
	NMRV063			62.0
	NMRV050	15	94	63.7
	NMRV063			82.4
	NMRV050	20	70	84.0
	NMRV063			99.3
	NMRV063	30	47	113.6
	NMRV075			124.4
	NMRV063	40	35	146.6
	NMRV075			157.8
	NMRV075	50	28	196.8
	NMRV090			186.1
	NMRV075	60	24	213.7
	NMRV090			211.9
	NMRV090	80	18	267.1
	NMRV090			292.7
1.1KW	NMRV063	7.5	186	49.6
	NMRV075			51.4
	NMRV063	10	140	65.3
	NMRV075			67.3
	NMRV063	15	94	93.5
	NMRV075			98.6
	NMRV063	20	70	123.2
	NMRV075			127.7
	NMRV063	25	56	146.4
	NMRV075			159.2
	NMRV063	30	47	166.7
	NMRV075			182.5
NMRV075	40	35	231.4	

KW	TYPE	i	n ₂ (r/min)	M ₂ (N.M)
1.1KW	NMRV090	40	35	229.7
	NMRV090	50	28	272.9
	NMRV090	60	24	310.8
	NMRV110			319.1
	NMRV110	80	18	403.8
	NMRV110	100	14	471.2
1.5KW	NMRV063	7.5	186	67.6
	NMRV075			70.7
	NMRV063	10	140	89.7
	NMRV075			92.5
	NMRV063	15	94	127.5
	NMRV075			134.5
	NMRV063	20	70	167.9
	NMRV075			174.1
	NMRV075	25	56	217.1
	NMRV090			211.0
	NMRV075	30	47	248.9
	NMRV090			247.1
NMRV090	40	35	313.3	
NMRV110			372.1	
NMRV110	50	28	392.9	
NMRV090			423.8	
NMRV110	60	24	435.1	
NMRV110			550.7	
NMRV130	80	18	534.0	
NMRV130			672.2	
2.2KW	NMRV075	7.5	186	102.8
	NMRV090			101.9
	NMRV110	10	140	101.8
	NMRV075			135.7
	NMRV090	15	94	134.8
	NMRV110			133.7
	NMRV075	20	70	197.3
	NMRV090			196.7
	NMRV110	25	56	192.7
	NMRV090			254.9
	NMRV110	30	47	254.5
	NMRV090			309.5
	NMRV110	40	35	319.2
	NMRV090			362.4
	NMRV110	50	28	354.5
	NMRV130			465.8
	NMRV110	60	24	576.2
	NMRV130			563.7
	NMRV110	80	18	633.1
	NMRV130			655.6
NMRV130	100	14	783.1	
NMRV130			985.9	
3.0KW	NMRV075	7.5	186	140.1
	NMRV090			139.0
	NMRV110	10	140	133.3
	NMRV110			185.0
	NMRV090	15	94	183.8
	NMRV110			182.3
	NMRV075	20	70	269.0
	NMRV090			268.2
	NMRV110	25	56	262.7
	NMRV090			347.7
	NMRV110	30	47	347.0
	NMRV090			422.0

REDUCERS

NMRV性能参数

NMRV PERFORMANCE PARAMETER (n1=1400r/min)

KW	TYPE	i	n ₂ (r/min)	M ₂ (N.M)
3.0KW	NMRV110	25	56	435.3
	NMRV090	30	47	494.1
	NMRV110			483.3
	NMRV110	40	35	635.1
	NMRV130			697.6
	NMRV110	50	28	785.8
	NMRV130			775.5
NMRV130	60	24	894.0	
4.0KW	NMRV075	7.5	186	186.8
	NMRV090			185.3
	NMRV110			185.0
	NMRV130			187.1
	NMRV090	10	140	245.1
	NMRV110			213.1
	NMRV130			243.1
	NMRV090	15	94	357.7
	NMRV110			350.3
	NMRV130			354.3
	NMRV090	20	70	463.5
	NMRV110			462.7
	NMRV130			469.3
	NMRV110	25	56	580.4
	NMRV130			576.4

KW	TYPE	i	n ₂ (r/min)	M ₂ (N.M)
4.0KW	NMRV110	30	47	644.5
	NMRV130			652.6
	NMRV130	40	35	850.1
	NMRV130	50	28	1034.0
	NMRV130	60	24	1192.0
5.5KW	NMRV110	7.5	186	254.4
	NMRV130			257.2
	NMRV110	10	140	334.3
	NMRV130			334.3
	NMRV110	15	94	487.6
	NMRV130			487.2
	NMRV130	20	70	636.2
	NMRV110			645.2
	NMRV130	25	56	792.5
	NMRV130	30	47	897.3
NMRV130	40	35	1168.9	
7.5KW	NMRV130	7.5	186	346.9
	NMRV130			350.8
	NMRV110	10	140	455.8
	NMRV130			455.8
	NMRV130	15	94	664.8
	NMRV130	20	70	879.9
NMRV130	25	56	1080.7	

REDUCERS

PCR V性能参数

PCR V PERFORMANCE PARAMETER (n₁=1400r/min)

KW	PC+NMRV	i	η_2	M ₂ (N.M)	i ₁	i ₂
0.12KW	PCR V063/040	75	18.7	43.0	3	25
	PCR V063/040	90	15.6	47.2	3	30
	PCR V063/040	120	11.7	62.3	3	40
	PCR V063/040	150	9.3	70.4	3	50
	PCR V063/050			73.9	3	50
	PCR V063/040	180	7.8	77.9	3	60
	PCR V063/050			74.5	3	60
	PCR V063/040	240	5.8	95.7	3	80
	PCR V063/050			98.9	3	80
	PCR V063/063			104.9	3	80
	PCR V063/040			111.3	3	100
	PCR V063/050	300	4.7	112.7	3	100
PCR V063/063	113.4			3	100	
0.18KW	PCR V063/040	75	18.7	64.6	3	25
	PCR V063/050			67.4	3	25
	PCR V063/040	90	15.6	70.9	3	30
	PCR V063/050			74.6	3	30
	PCR V063/040	120	11.7	93.5	3	40
	PCR V063/050			97.0	3	40
	PCR V063/050	150	9.3	110.9	3	50
	PCR V063/063			115.5	3	50
	PCR V063/050	180	7.8	111.7	3	60
	PCR V063/063			119.9	3	60
	PCR V063/050	240	5.8	148.4	3	80
	PCR V063/063			157.3	3	80
PCR V063/050	300	4.7	169.0	3	100	
PCR V063/063			170.1	3	100	
0.25KW	PCR V071/050	79.3	17.7	99.0	3.17	25
	PCR V071/063			100.2	3.17	25
	PCR V071/050	95.1	14.7	109.5	3.17	30
	PCR V071/063			114.0	3.17	30
	PCR V071/050	126.8	11	142.3	3.17	40
	PCR V071/063			147.1	3.17	40
	PCR V071/063	158.5	8.8	169.5	3.17	50
	PCR V071/075			197.4	3.17	50
	PCR V071/063	190.2	7.4	176.9	3.17	60
	PCR V071/075			214.1	3.17	60
	PCR V071/063	253.6	5.5	230.9	3.17	80
	PCR V071/075			295.4	3.17	80
PCR V071/063	317	4.4	249.6	3.17	100	
PCR V071/075			321.5	3.17	100	
0.37KW	PCR V071/063	79.3	17.7	148.3	3.17	25
	PCR V071/075			161.2	3.17	25
	PCR V071/063	95.1	14.7	168.7	3.17	30
	PCR V071/075			184.7	3.17	30
	PCR V071/063	126.8	11	217.7	3.17	40
	PCR V071/075			234.1	3.17	40
	PCR V071/063	158.5	8.8	250.8	3.17	50
	PCR V071/075			292.2	3.17	50
	PCR V071/075	190.2	7.4	316.9	3.17	60
	PCR V071/090			314.6	3.17	60
	PCR V071/090	253.6	5.5	387.9	3.17	80
	PCR V071/090			317	4.4	134.7
0.55KW	PCR V080/075	75	18.7	226.7	3	25
	PCR V080/075	90	15.6	259.8	3	30

KW	PC+NMRV	i	η_2	M ₂ (N.M)	i ₁	i ₂
0.55KW	PCR V080/090	90	15.6	257.9	3	30
	PCR V080/075	120	11.7	329.3	3	40
	PCR V080/090	120	11.7	327.2	3	40
	PCR V080/075	150	9.3	411.1	3	50
	PCR V080/090			388.6	3	50
	PCR V080/090	130	7.8	442.6	3	60
	PCR V080/110			467.6	3	60
	PCR V080/090	240	5.8	545.7	3	80
	PCR V080/110			591.9	3	80
	PCR V080/110	300	4.7	671.7	3	100
	PCR V080/130			702.7	3	100
	0.75KW	PCR V080/075	75	18.7	309.1	3
PCR V080/090		300.3			3	25
PCR V080/110		90	15.6	310.2	3	25
PCR V080/075				354.3	3	30
PCR V080/090		90	15.6	351.7	3	30
PCR V080/110				346.8	3	30
PCR V080/090		120	11.7	446.1	3	40
PCR V080/110				452.5	3	40
PCR V080/090		150	9.3	530.0	3	50
PCR V080/110				559.8	3	50
PCR V080/090		130	7.8	603.6	3	60
PCR V080/110				637.7	3	60
PCR V080/110	240	5.8	807.1	3	80	
PCR V080/130			782.6	3	80	
PCR V080/130	300	4.7	957.9	3	100	
1.1KW	PCR V090/110	72.6	19.3	410.4	2.42	30
	PCR V090/130			415.5	2.42	30
	PCR V090/110	96.8	14.5	535.4	2.42	40
	PCR V090/130			537.5	2.42	40
	PCR V090/110	121	11.6	662.4	2.42	50
	PCR V090/130			653.7	2.42	50
	PCR V090/110	115.2	9.6	754.5	2.42	60
	PCR V090/130			775.2	2.42	60
	PCR V090/110	193.6	7.2	954.9	2.42	80
	PCR V090/130			925.9	2.42	80
	PCR V090/130	242	5.8	1133.3	2.42	100
	1.5KW	PCR V090/110	72.6	19.3	559.6	2.42
PCR V090/130		566.6			2.42	30
PCR V090/110		96.8	14.5	730.1	2.42	40
PCR V090/130				732.9	2.42	40
PCR V090/110		121	11.6	903.2	2.42	50
PCR V090/130				891.5	2.42	50
PCR V090/110		145.2	9.6	1028.8	2.42	60
PCR V090/130				1057.0	2.42	60
PCR V090/130		193.6	7.2	1262.6	2.42	80

REDUCERS

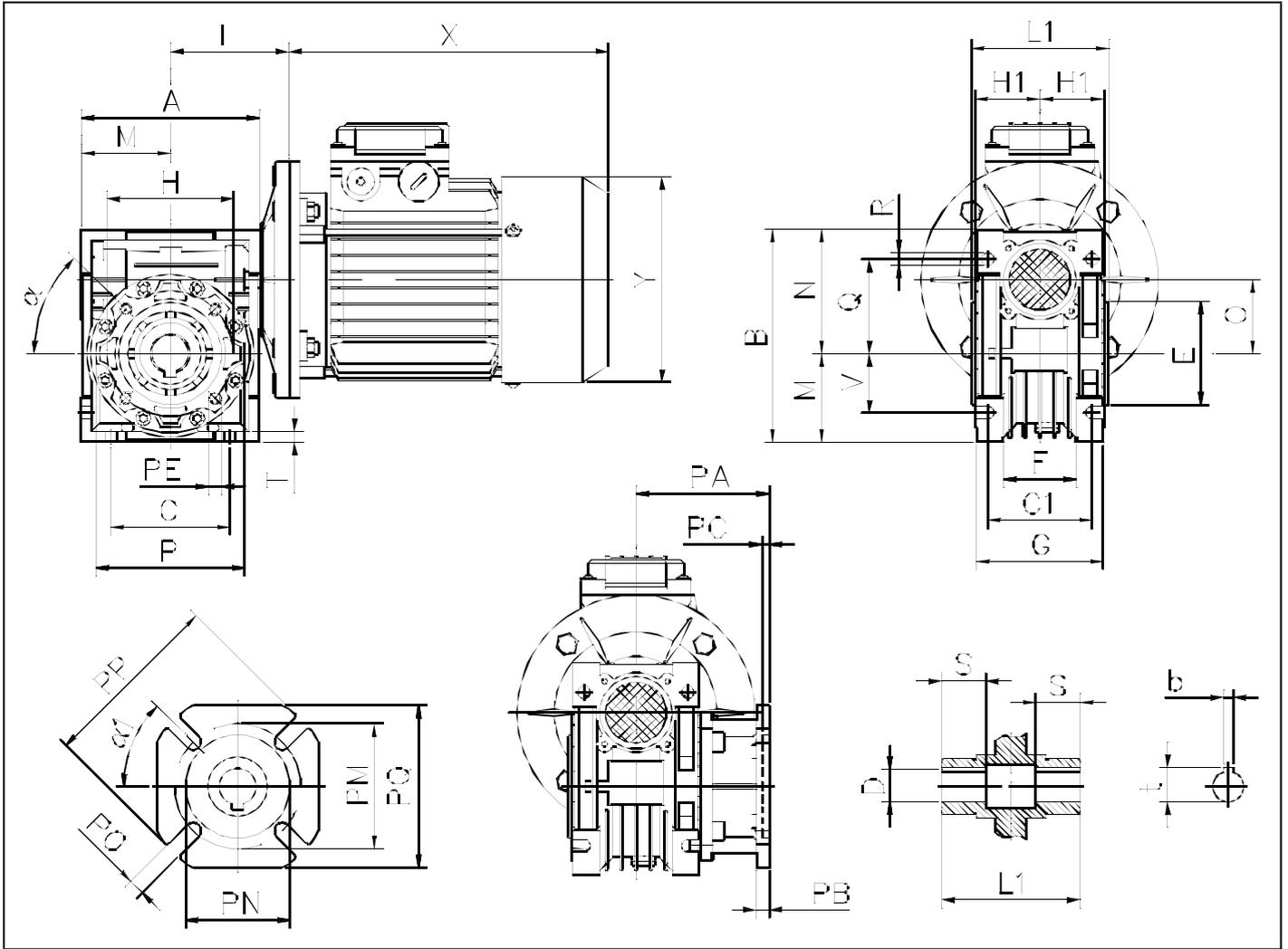
DRV性能参数

DRV PERFORMANCE PARAMETER (n1=1400r/min)

KW	NMRV+NMRV	i	n ₂ (r/min)	M ₂ (N.M)	i ₁	i ₂	KW	NMRV+NMRV	i	n ₂ (r/min)	M ₂ (N.M)	i ₁	i ₂																																																																																																																																																																																																																																																																																																																																																																																																																																																																																																																							
0.06KW	DRV030/040	300	4.7	68.7	10	30	0.18KW	DRV040/075	750	1.9	550.4	25	30																																																																																																																																																																																																																																																																																																																																																																																																																																																																																																																							
	DRV030/040	400	3.5	90.7	10	40		DRV040/090	900	1.6	599.7	30	30																																																																																																																																																																																																																																																																																																																																																																																																																																																																																																																							
	DRV030/040	500	2.8	101.6	20	25		DRV040/090	1200	1.2	760.8	30	40																																																																																																																																																																																																																																																																																																																																																																																																																																																																																																																							
	DRV030/040	600	2.3	111.5	20	30		DRV040/090	1500	0.9	903.7	30	50																																																																																																																																																																																																																																																																																																																																																																																																																																																																																																																							
	DRV030/040	750	1.9	145.0	25	30		DRV050/110	1800	0.8	932.3	60	30																																																																																																																																																																																																																																																																																																																																																																																																																																																																																																																							
	DRV030/040	900	1.6	165.8	30	30		DRV050/110	2400	0.6	1216.4	60	40																																																																																																																																																																																																																																																																																																																																																																																																																																																																																																																							
	DRV030/050			177.7	30	30		DRV030/050	1200	1.2	218.8	30	40	DRV040/075	300	4.7	347.6	10	30	DRV030/050	227.0	30	40	DRV040/075	400	3.5	440.6	10	40	DRV030/040	1500	0.9	234.9	50	30	DRV040/075	500	2.8	550.1	10	50	DRV030/050	247.5	50	30	DRV040/090	600	2.3	639.1	15	40	DRV030/063	270.2	30	50	DRV040/090	750	1.9	790.7	15	50	DRV030/040	1800	0.8	258.6	60	30	DRV040/090	900	1.6	900.6	15	60	DRV030/050	272.3	60	30	DRV050/110	1200	1.2	1129.0	30	40	DRV030/063	280.6	30	60	DRV050/110	1500	0.9	1285.9	50	30	DRV030/040	2400	0.6	341.2	60	40	DRV050/110	1800	0.8	1294.9	60	30	DRV030/050	353.9	60	40	DRV063/130	2400	0.6	1820.3	60	40	DRV030/063	365.7	60	40	DRV063/130	3000	0.5	2214.1	60	50	DRV040/075	388.7	60	40	DRV040/075	300	4.7	514.5	10	30	DRV030/040	3000	0.5	385.6	60	50	DRV040/090	400	3.5	647.9	10	40	DRV030/050	404.8	60	50	DRV040/090	500	2.8	769.7	10	50	DRV030/063	421.4	60	50	DRV040/090	600	2.3	932.5	15	40	DRV040/075	485.3	60	50	DRV050/110	750	1.9	1157.2	25	30	DRV030/040	3200	0.4	369.2	80	40	DRV050/110	900	1.6	1280.6	30	30	0.09KW	DRV030/040	300	4.7	103.1	10	30	DRV063/130	1200	1.2	1741.2	40	30	DRV030/050	400	3.5	141.1	10	40	DRV063/130	1500	0.9	2006.2	50	30	DRV030/050	500	2.8	161.3	10	50	DRV063/130	1800	0.8	2082.8	60	30	DRV030/050	600	2.3	176.2	20	30	DRV050/110	300	4.7	760.4	10	30	DRV030/050	750	1.9	229.1	25	30	DRV050/110	400	3.5	992.1	10	40	DRV030/063	900	1.6	272.7	30	30	DRV050/110	500	2.8	1227.3	10	50	DRV030/063	1200	1.2	351.8	30	40	DRV050/110	600	2.3	1411.3	15	40	DRV040/075	1500	0.9	450.5	50	30	DRV050/110	750	1.9	1720.2	25	30	DRV040/075	1800	0.8	460.0	60	30	DRV063/130	1200	1.6	2595.0	30	40	DRV040/090	2400	0.6	579.3	60	40	DRV050/110	300	4.7	1036.9	10	30	DRV040/090	3000	0.5	688.2	60	50	DRV050/110	400	3.5	1352.9	10	40	0.12KW	DRV030/050	300	4.7	144.7	10	30	DRV063/130	500	2.8	1686.7	10	50	DRV030/050	400	3.5	188.1	10	40	DRV063/130	600	2.3	1984.5	15	40	DRV030/063	500	2.8	223.9	10	50	DRV063/130	750	1.9	2403.0	25	30	DRV030/063	600	2.3	275.0	15	40	DRV063/130	900	1.6	2735.8	30	30	DRV030/063	750	1.9	316.8	15	50	1.1KW	DRV063/130	300	4.7	1572.5	10	30	DRV040/075	900	1.6	402.8	30	30	1.5KW	DRV063/130	400	3.5	2033.9	10	40	DRV030/063	1200	1.2	469.1	30	40	1.5KW	DRV063/130	300	4.7	2144.3	10	30	DRV040/075	510.5	30	40	DRV040/090	1500	0.9	602.5	30	50								DRV040/090	1800	0.8	686.2	30	60								DRV040/090	2400	0.6	772.4	60	40								DRV050/110	3000	0.5	1003.2	60	50								0.18KW	DRV030/050	300	4.7	217.1	10	30								DRV030/063	400	3.5	291.5	10	40								DRV030/063	500	2.8	335.9	10	50								DRV040/075	600	2.3	472.6	20	30				
	DRV030/050	1200	1.2	218.8	30	40	DRV040/075	300			4.7	347.6	10	30																																																																																																																																																																																																																																																																																																																																																																																																																																																																																																																						
	DRV030/050			227.0	30	40	DRV040/075	400	3.5	440.6	10	40																																																																																																																																																																																																																																																																																																																																																																																																																																																																																																																								
	DRV030/040	1500	0.9	234.9	50	30	DRV040/075	500	2.8	550.1	10	50																																																																																																																																																																																																																																																																																																																																																																																																																																																																																																																								
	DRV030/050			247.5	50	30	DRV040/090	600	2.3	639.1	15	40																																																																																																																																																																																																																																																																																																																																																																																																																																																																																																																								
	DRV030/063			270.2	30	50	DRV040/090	750	1.9	790.7	15	50																																																																																																																																																																																																																																																																																																																																																																																																																																																																																																																								
	DRV030/040	1800	0.8	258.6	60	30	DRV040/090	900	1.6	900.6	15	60																																																																																																																																																																																																																																																																																																																																																																																																																																																																																																																								
	DRV030/050			272.3	60	30	DRV050/110	1200	1.2	1129.0	30	40																																																																																																																																																																																																																																																																																																																																																																																																																																																																																																																								
	DRV030/063			280.6	30	60	DRV050/110	1500	0.9	1285.9	50	30																																																																																																																																																																																																																																																																																																																																																																																																																																																																																																																								
	DRV030/040	2400	0.6	341.2	60	40	DRV050/110	1800	0.8	1294.9	60	30																																																																																																																																																																																																																																																																																																																																																																																																																																																																																																																								
	DRV030/050			353.9	60	40	DRV063/130	2400	0.6	1820.3	60	40																																																																																																																																																																																																																																																																																																																																																																																																																																																																																																																								
	DRV030/063			365.7	60	40	DRV063/130	3000	0.5	2214.1	60	50																																																																																																																																																																																																																																																																																																																																																																																																																																																																																																																								
	DRV040/075			388.7	60	40	DRV040/075	300	4.7	514.5	10	30																																																																																																																																																																																																																																																																																																																																																																																																																																																																																																																								
	DRV030/040	3000	0.5	385.6	60	50	DRV040/090	400	3.5	647.9	10	40																																																																																																																																																																																																																																																																																																																																																																																																																																																																																																																								
DRV030/050	404.8			60	50	DRV040/090	500	2.8	769.7	10	50																																																																																																																																																																																																																																																																																																																																																																																																																																																																																																																									
DRV030/063	421.4			60	50	DRV040/090	600	2.3	932.5	15	40																																																																																																																																																																																																																																																																																																																																																																																																																																																																																																																									
DRV040/075	485.3			60	50	DRV050/110	750	1.9	1157.2	25	30																																																																																																																																																																																																																																																																																																																																																																																																																																																																																																																									
DRV030/040	3200	0.4	369.2	80	40	DRV050/110	900	1.6	1280.6	30	30																																																																																																																																																																																																																																																																																																																																																																																																																																																																																																																									
0.09KW	DRV030/040	300	4.7	103.1	10	30	DRV063/130	1200	1.2	1741.2	40	30																																																																																																																																																																																																																																																																																																																																																																																																																																																																																																																								
	DRV030/050	400	3.5	141.1	10	40	DRV063/130	1500	0.9	2006.2	50	30																																																																																																																																																																																																																																																																																																																																																																																																																																																																																																																								
	DRV030/050	500	2.8	161.3	10	50	DRV063/130	1800	0.8	2082.8	60	30																																																																																																																																																																																																																																																																																																																																																																																																																																																																																																																								
	DRV030/050	600	2.3	176.2	20	30	DRV050/110	300	4.7	760.4	10	30																																																																																																																																																																																																																																																																																																																																																																																																																																																																																																																								
	DRV030/050	750	1.9	229.1	25	30	DRV050/110	400	3.5	992.1	10	40																																																																																																																																																																																																																																																																																																																																																																																																																																																																																																																								
	DRV030/063	900	1.6	272.7	30	30	DRV050/110	500	2.8	1227.3	10	50																																																																																																																																																																																																																																																																																																																																																																																																																																																																																																																								
	DRV030/063	1200	1.2	351.8	30	40	DRV050/110	600	2.3	1411.3	15	40																																																																																																																																																																																																																																																																																																																																																																																																																																																																																																																								
	DRV040/075	1500	0.9	450.5	50	30	DRV050/110	750	1.9	1720.2	25	30																																																																																																																																																																																																																																																																																																																																																																																																																																																																																																																								
	DRV040/075	1800	0.8	460.0	60	30	DRV063/130	1200	1.6	2595.0	30	40																																																																																																																																																																																																																																																																																																																																																																																																																																																																																																																								
	DRV040/090	2400	0.6	579.3	60	40	DRV050/110	300	4.7	1036.9	10	30																																																																																																																																																																																																																																																																																																																																																																																																																																																																																																																								
	DRV040/090	3000	0.5	688.2	60	50	DRV050/110	400	3.5	1352.9	10	40																																																																																																																																																																																																																																																																																																																																																																																																																																																																																																																								
	0.12KW	DRV030/050	300	4.7	144.7	10	30	DRV063/130	500	2.8	1686.7	10	50																																																																																																																																																																																																																																																																																																																																																																																																																																																																																																																							
		DRV030/050	400	3.5	188.1	10	40	DRV063/130	600	2.3	1984.5	15	40																																																																																																																																																																																																																																																																																																																																																																																																																																																																																																																							
DRV030/063		500	2.8	223.9	10	50	DRV063/130	750	1.9	2403.0	25	30																																																																																																																																																																																																																																																																																																																																																																																																																																																																																																																								
DRV030/063		600	2.3	275.0	15	40	DRV063/130	900	1.6	2735.8	30	30																																																																																																																																																																																																																																																																																																																																																																																																																																																																																																																								
DRV030/063		750	1.9	316.8	15	50	1.1KW	DRV063/130	300	4.7	1572.5	10	30																																																																																																																																																																																																																																																																																																																																																																																																																																																																																																																							
DRV040/075		900	1.6	402.8	30	30	1.5KW	DRV063/130	400	3.5	2033.9	10	40																																																																																																																																																																																																																																																																																																																																																																																																																																																																																																																							
DRV030/063		1200	1.2	469.1	30	40	1.5KW	DRV063/130	300	4.7	2144.3	10	30																																																																																																																																																																																																																																																																																																																																																																																																																																																																																																																							
DRV040/075				510.5	30	40	DRV040/090	1500	0.9	602.5	30	50								DRV040/090	1800	0.8	686.2	30	60								DRV040/090	2400	0.6	772.4	60	40								DRV050/110	3000	0.5	1003.2	60	50								0.18KW	DRV030/050	300	4.7	217.1	10	30								DRV030/063	400	3.5	291.5	10	40								DRV030/063	500	2.8	335.9	10	50								DRV040/075	600	2.3	472.6	20	30																																																																																																																																																																																																																																																																																																																																																																																																																												
DRV040/090		1500	0.9	602.5	30	50																																																																																																																																																																																																																																																																																																																																																																																																																																																																																																																														
DRV040/090		1800	0.8	686.2	30	60																																																																																																																																																																																																																																																																																																																																																																																																																																																																																																																														
DRV040/090		2400	0.6	772.4	60	40																																																																																																																																																																																																																																																																																																																																																																																																																																																																																																																														
DRV050/110		3000	0.5	1003.2	60	50																																																																																																																																																																																																																																																																																																																																																																																																																																																																																																																														
0.18KW	DRV030/050	300	4.7	217.1	10	30																																																																																																																																																																																																																																																																																																																																																																																																																																																																																																																														
	DRV030/063	400	3.5	291.5	10	40																																																																																																																																																																																																																																																																																																																																																																																																																																																																																																																														
	DRV030/063	500	2.8	335.9	10	50																																																																																																																																																																																																																																																																																																																																																																																																																																																																																																																														
	DRV040/075	600	2.3	472.6	20	30																																																																																																																																																																																																																																																																																																																																																																																																																																																																																																																														

REDUCERS

NMRV减速机尺寸 (公制系列 METRIC SERIES) NMRV DIMENSIONS

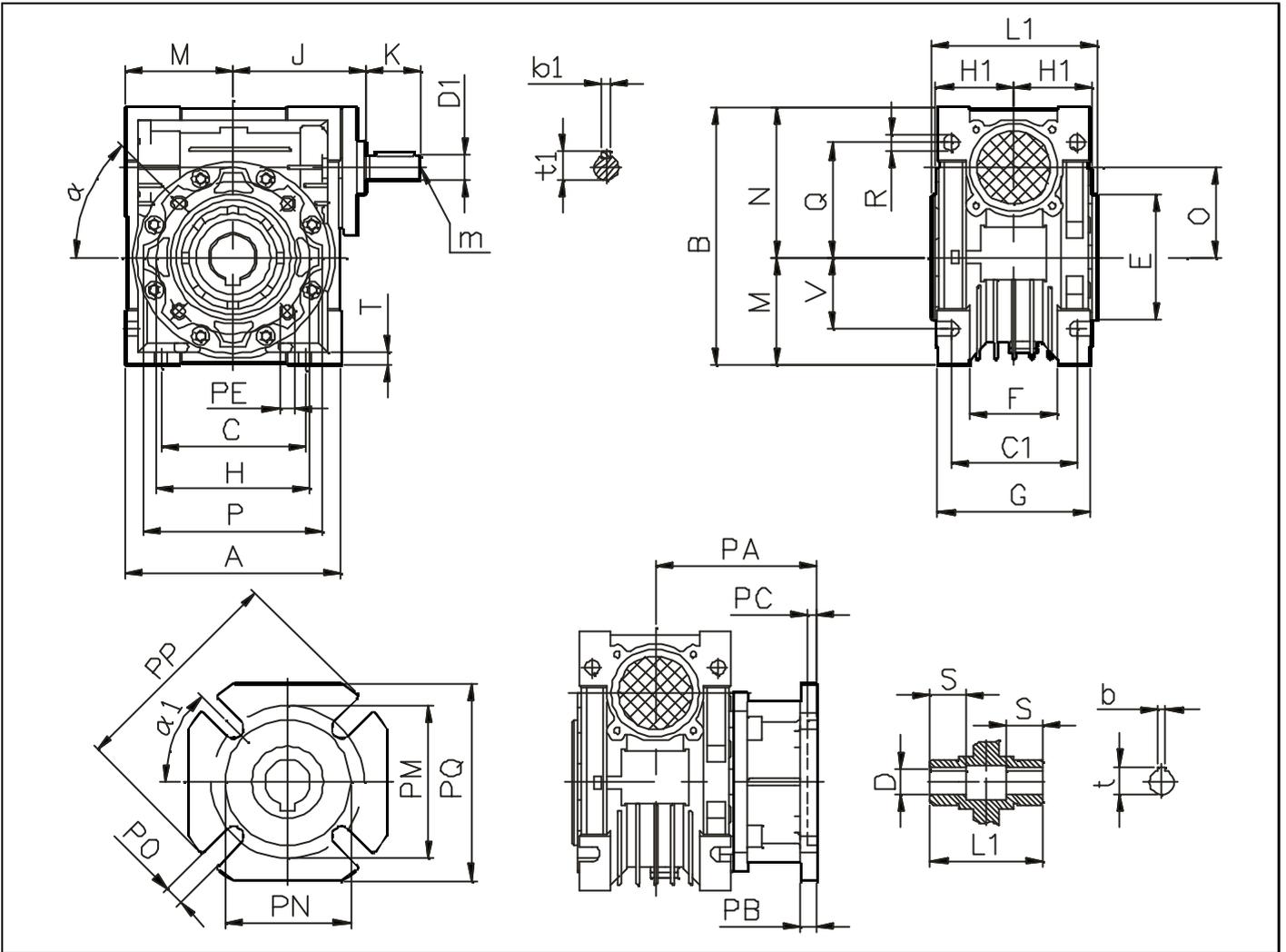


NMRV	A	B	C	C1	D(H7)	E(h8)	F	G	H	H1	I	L1	M	N	O	P	Q	R
030	30	97	54	44	14	55	32	56	65	29	55	63	40	57	30	75	44	6.5
040	100	124.5	70	60	18(19)	60	43	71	75	36.5	70	78	50	77.5	40	87	55	6.5
050	120	144	80	70	25(24)	70	49	85	85	13.5	80	92	60	84	50	100	64	8.5
063	144	174	100	85	25(28)	80	67	103	95	53	95	112	72	102	63	110	80	8.5
075	172	205	120	90	28(35)	95	72	112	115	57	112.5	120	86	119	75	140	93	11
090	206	238	140	100	35(38)	110	74	130	130	67	129.5	140	103	135	90	160	102	13
110	252.5	295	170	115	42	130	-	144	165	74	160	155	127.5	167.5	110	200	125	14
130	292.5	335	200	120	45	180	-	155	215	81	180	170	147.5	187.5	130	250	140	16

NMRV	S	T	V	PA	P3	P2	PM	PN(H8)	PO	PP	PQ	alpha	alpha1	Kg.			
030	21	5.5	27	57.5	6	4	M6 x 1 (n=4)	68	50	6.5(n=4)	80	70	5	16.3	0°	45°	1.2
040	26	6.5	35	67	7	4	M6 x 8 (n=4)	75	60	9(n=4)	110	95	6	20.8(21.8)	15°	45°	2.3
050	30	7	40	90	9	5	M8 x 10 (n=4)	85	70	11(n=4)	125	110	8	28.3(27.3)	45°	45°	3.5
063	36	8	50	82	10	6	M8 x 4 (n=8)	150	115	11(n=4)	180	142	8	28.3(31.3)	45°	45°	6.2
075	40	10	60	111	13	6	M8 x 4 (n=8)	165	130	14(n=4)	200	170	8	31.3(38.3)	45°	45°	9
090	45	11	70	111	13	6	M10 x 18 (n=8)	175	152	14(n=4)	210	200	10	38.3(41.3)	45°	45°	13
110	50	14	85	131	15	6	M10 x 18 (n=8)	230	170	14(n=8)	280	260	12	45.3	45°	45°	35
130	60	15	100	140	15	6	M12 x 21 (n=8)	255	180	16(n=6)	320	290	14	48.3	15°	22.5°	48

REDUCERS

NRV减速机尺寸 (公制系列 METRIC SERIES) NRV DIMENSIONS

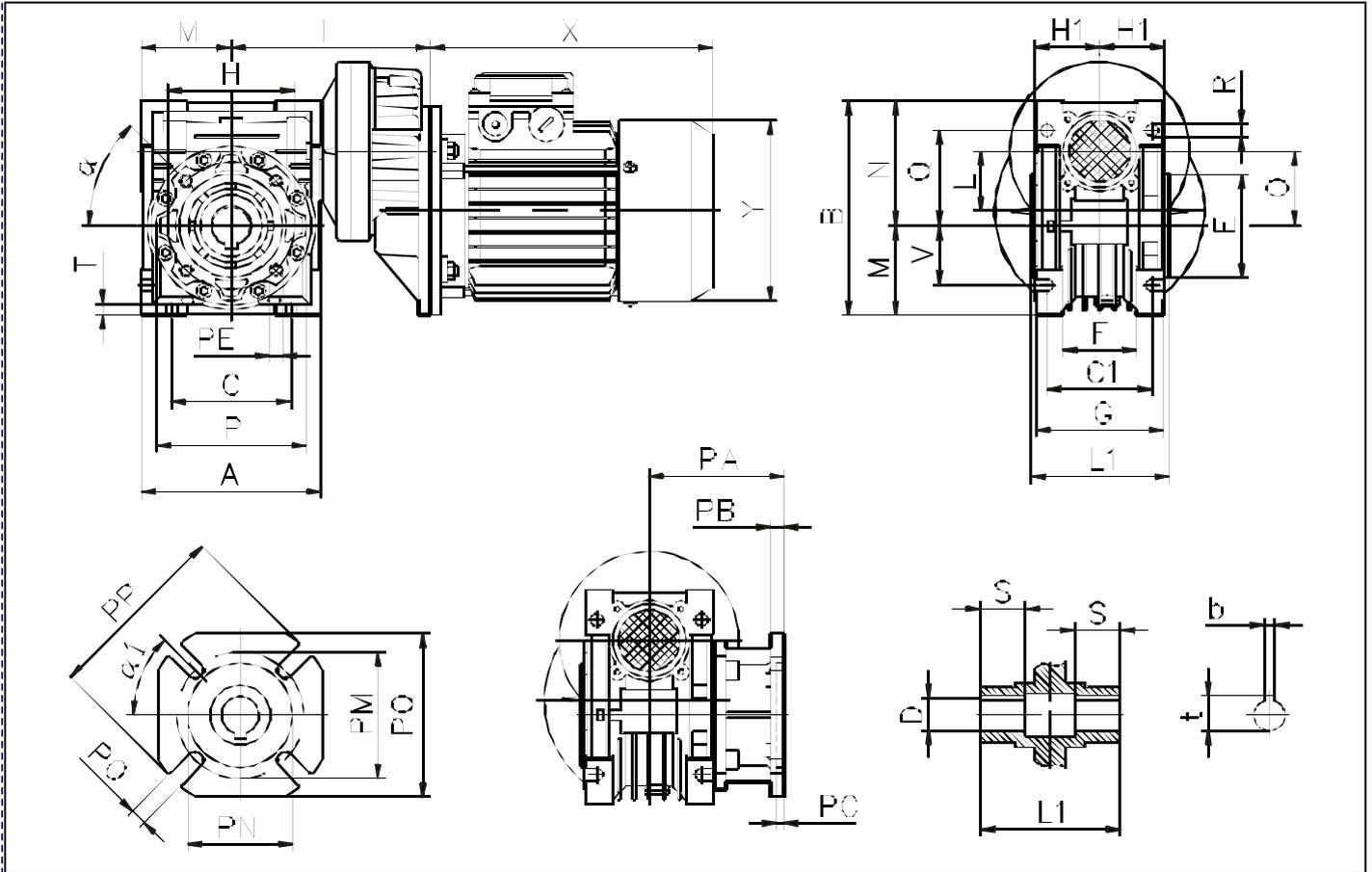


NRV	A	B	C	C1	D (H17)	D1 (L6)	E (h8)	F	G	H	H'	J	K	L1	M	N	O	P	Q	R
030	80	97	54	44	14	9	55	32	56	65	29	51	20	63	40	57	30	75	44	6.5
040	100	121.5	70	60	18(19)	11	60	43	71	75	36.5	60	23	78	50	71.5	40	87	55	6.5
050	120	144	80	70	25(24)	14	70	49	85	85	43.5	74	30	92	60	84	50	100	64	8.5
063	144	171	100	85	25(28)	19	80	67	103	95	53	90	40	112	72	102	63	110	80	8.5
075	172	206	120	90	28(36)	24	95	72	112	115	57	105	50	120	86	119	75	140	93	11
090	206	238	140	100	35(38)	24	110	74	130	130	67	125	50	140	103	135	90	160	102	13
110	252.5	295	170	115	42	28	130	-	144	165	74	142	60	155	127.5	167.5	110	200	125	14
130	292.5	335	200	120	45	30	180	-	155	215	81	162	80	170	147.5	187.5	130	250	140	16

NRV	S	T	V	PA	PC	PG	PF	PM	PV (H8)	PO	PS	PQ	b	b1	t	t1	m	α	α_1	Kg.
030	21	5.5	27	54.5	6	4	M6x1(n=4)	63	50	6.5(n=4)	80	70	5	3	16.3	10.2	-	0°	15°	1.2
040	26	6.5	35	67	7	4	M6x8(n=4)	75	60	9(n=4)	110	95	6	4	20.8(21.8)	12.5	-	45°	45°	2.3
050	30	7	40	90	9	5	M8x10(n=4)	85	70	11(n=4)	125	110	8	5	28.3(27.3)	16.0	M6	45°	45°	3.5
063	36	8	50	82	10	6	M8x4(n=8)	150	115	11(n=4)	180	142	8	6	28.3(31.3)	21.5	M6	45°	45°	6.2
075	40	10	60	111	13	6	M8x4(n=8)	165	130	14(n=4)	200	170	8	8	31.3(38.3)	27.0	M8	45°	45°	9
090	45	11	70	111	13	6	M10x18(1=8)	175	152	14(n=4)	210	200	10	8	38.3(41.3)	27.0	M8	45°	45°	13
110	50	14	85	131	15	6	M10x18(1=8)	230	170	14(n=8)	280	260	12	8	45.3	31.0	M10	45°	45°	35
130	60	15	100	140	15	6	M12x21(1=8)	255	180	16(n=6)	320	290	14	8	48.8	33.0	M10	45°	22.5°	48

REDUCERS

PCRV 减速机尺寸 PCRV DIMENSIONS (公制系列 METRIC SERIES)

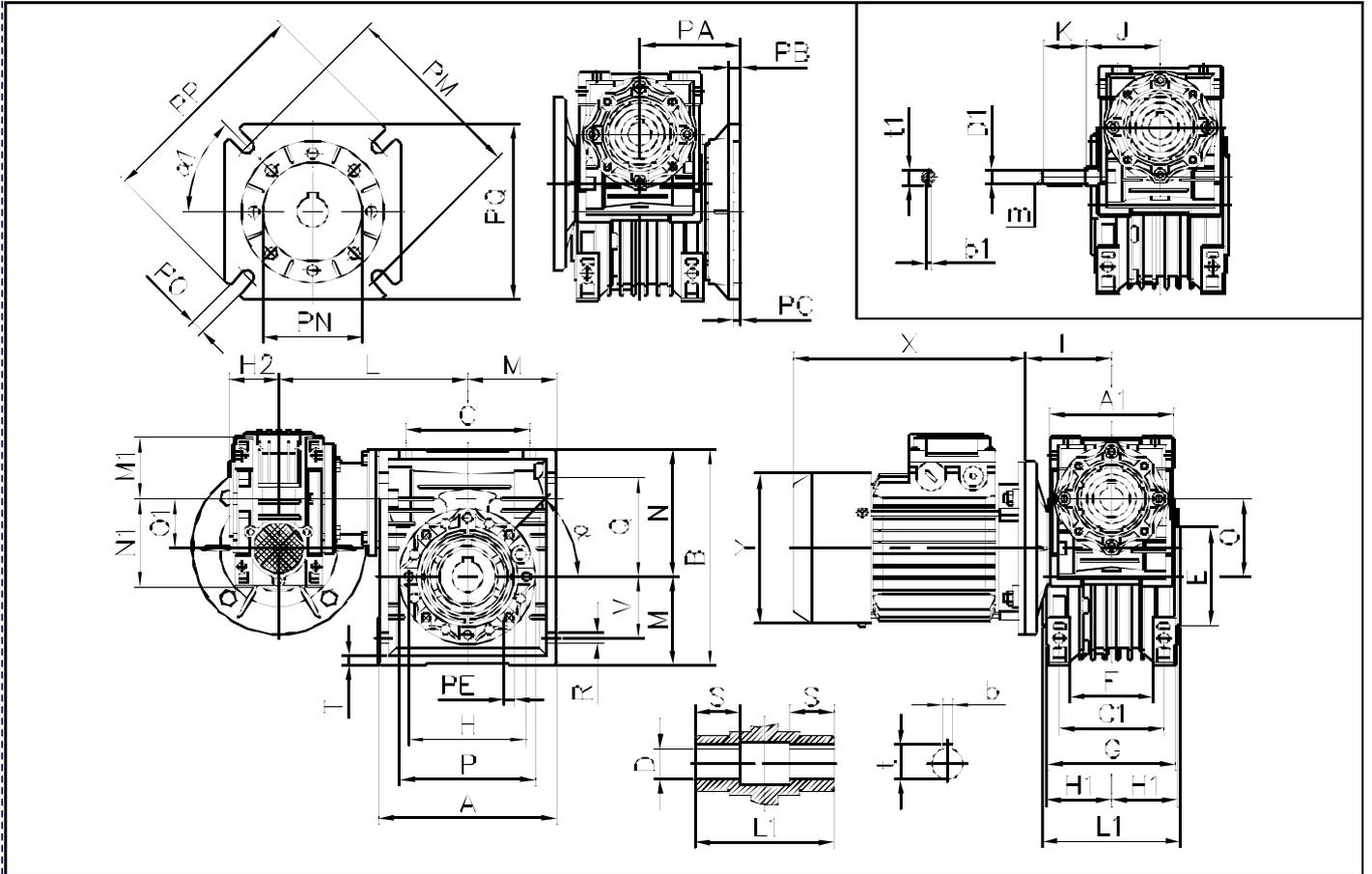


PCRV	A	B	C	C1	D(I17)	E(h3)	F	G	I	I'	J	L	L1	M	N	O	P	Q	R
063/040	100	121.5	70	60	13(19)	60	43	71	75	36.5	123	40	73	50	71.5	40	87	55	6.5
063/050	120	144	80	70	25(24)	70	49	85	35	43.5	133	40	92	60	84	50	100	64	8.5
071/050	120	144	80	70	25(24)	70	49	85	35	43.5	143	50	92	60	84	50	100	64	8.5
063/063	144	174	100	85	25(23)	80	67	103	95	53	148	40	112	72	102	63	110	80	8.5
071/063	144	174	100	85	25(23)	80	67	103	95	53	158	50	112	72	102	63	110	80	8.5
071/075	172	205	120	90	23(35)	95	72	112	115	57	176	50	120	86	119	75	140	93	11
080/075	172	205	120	90	23(35)	95	72	112	115	57	186	63	120	86	119	75	140	93	11
071/090	206	238	140	100	35(38)	110	74	130	130	67	193	50	140	103	135	90	160	102	13
080/090	206	238	140	100	35(38)	110	74	130	130	67	203	63	140	103	135	90	160	102	13
080(090)/110	252.5	295	140	115	42	130	-	144	165	74	233	63	155	127.5	167.5	110	200	125	14
080(090)/130	292.5	335	200	120	45	180	-	155	215	81	253	63	170	147.5	187.5	130	250	140	16

PCRV	S	T	V	PA	PB	PC	PE	PM	PN	PO	PP	PQ	b	t	α	α1	Kg
063/040	26	6.5	35	67	7	4	M6x8(n=4)	75	60	9(n=4)	110	95	6(6)	20.8(21.8)	45'	45°	3.9
063/050	30	7	40	90	9	5	M8x10(n=4)	85	70	11(1=4)	125	110	8(8)	23.3(27.3)	45'	45°	5.2
071/050	30	7	40	90	9	5	M8x10(n=4)	85	70	11(1=4)	125	110	8(8)	23.3(27.3)	45'	45°	5.8
063/063	36	8	50	82	10	6	M8x14(n=8)	150	115	11(1=4)	130	142	8(8)	23.3(31.3)	45'	45°	7.9
071/063	36	8	50	82	10	6	M8x14(n=8)	150	115	11(1=4)	180	142	8(8)	23.3(31.3)	45'	45°	8.5
071/075	40	10	60	111	13	6	M8x14(n=8)	165	130	14(1=4)	200	170	8(10)	31.3(38.3)	45'	45°	11.3
080/075	40	10	60	111	13	6	M8x14(n=8)	165	130	14(1=4)	200	170	8(10)	31.3(38.3)	45'	45°	13.1
071/090	45	11	70	111	13	6	M10x8(n=8)	175	152	14(1=4)	210	200	10(10)	38.3(41.3)	45'	45°	15.3
080/090	45	11	70	111	13	6	M10x8(n=8)	175	152	14(1=4)	210	200	10(10)	38.3(41.3)	45'	45°	17.2
080(090)/110	50	14	85	131	15	6	M10x8(n=8)	230	170	14(1=8)	230	260	12	45.3	45'	45°	39
080(090)/130	60	15	100	140	15	6	M12x21(n=8)	255	180	16(1=3)	320	290	14	48.8	45'	22.5°	52.2

REDUCERS

DRV 减速机尺寸 DRV DIMENSIONS (公制系列 METRIC SERIES)



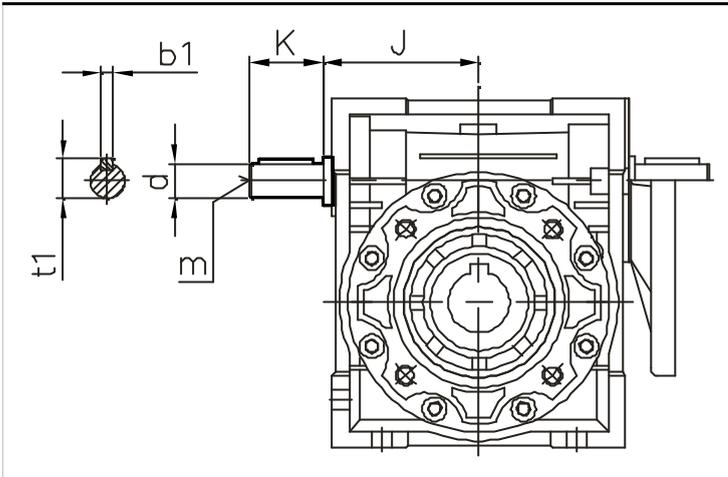
DRV	A	A1	B	C	C1	D(H7)	D1(j6)	E(h8)	F	G	H	H'	H2	I	J	K	L	L1	M	M1	N	N1	O	O'	P
030/040	100	80	127.5	70	60	18(19)	9	60	43	71	75	36.5	29	55	51	20	120	78	50	40	71.5	57	40	30	87
030/050	120	80	144	80	70	25(24)	9	70	49	85	85	43.5	29	55	51	20	130	92	60	40	84	57	50	30	100
030/063	144	80	174	100	85	25(28)	9	80	67	103	95	53	29	55	51	20	145	112	72	40	102	57	63	30	110
040/075	172	100	205	120	90	28(35)	11	95	72	112	115	57	36.5	70	60	28	165	120	86	50	119	71.5	75	40	140
040/090	206	100	238	140	100	35(33)	11	110	74	130	130	67	36.5	70	60	28	182	140	103	50	135	71.5	90	40	160
050/110	252.5	120	295	170	115	42	14	130	114	165	174	74	43.5	80	74	30	225	155	127.5	60	167.5	84	110	50	200
063/130	292.5	144	335	200	120	45	19	180	155	215	215	81	53	95	90	30	245	170	147.5	72	187.5	102	130	63	260

DRV	Q	r	S	T	V	PA	PB	PC	PE	PM	PN(H8)	PC	PP	PQ	α	α1	b	b1	t	t1	n	Kg
030/040	55	6.5	26	6.5	35	67	7	4	M6x8(n=4)	75	60	9(n=4)	110	110	45°	45°	6(6)	3	20.8(21.3)	10.2	-	3.9
030/050	64	8.5	30	7	40	90	9	5	M8x10(n=4)	85	70	11(n=4)	125	110	45°	45°	8(8)	3	28.3(27.3)	10.2	-	5.0
030/063	80	8.5	36	8	50	82	10	6	M8x14(n=8)	150	115	11(n=4)	180	142	45°	45°	8(8)	3	28.3(31.3)	10.2	-	7.8
040/075	93	11	40	10	60	111	13	6	M8x14(n=8)	165	130	14(n=4)	200	170	45°	45°	8(10)	4	31.3(38.3)	12.5	-	12.0
040/090	102	13	45	11	70	111	13	6	M10x18(n=8)	175	152	14(n=4)	210	200	45°	45°	10(10)	4	38.3(41.3)	12.5	-	16.0
050/110	125	14	50	14	85	131	15	6	M10x18(n=8)	230	170	14(n=8)	260	260	45°	45°	12	5	45.3	16.0	M6	39.2
063/130	140	16	60	15	100	140	15	6	M12x21(n=8)	255	180	16(n=8)	320	290	45°	22.5°	14	6	48.3	21.5	M6	55.0

REDUCERS

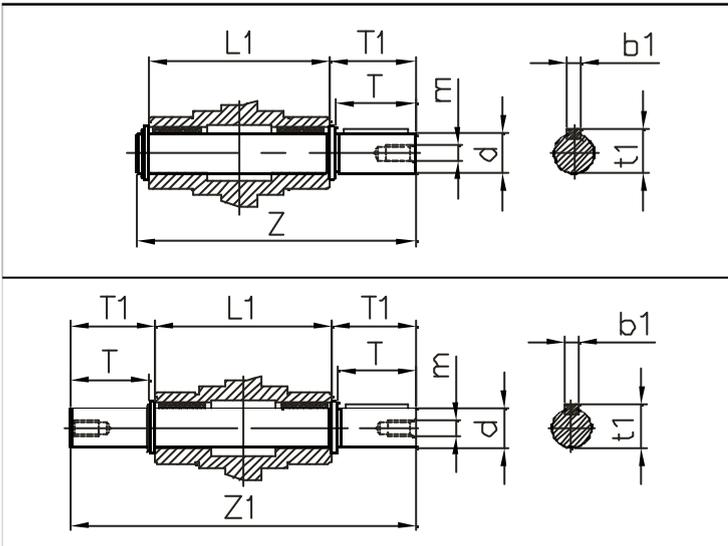
公制系列 METRIC SERIES

蜗杆尾出轴 (E) 尺寸 / EXTENSION WORM SHAFT (E) DIMENSIONS



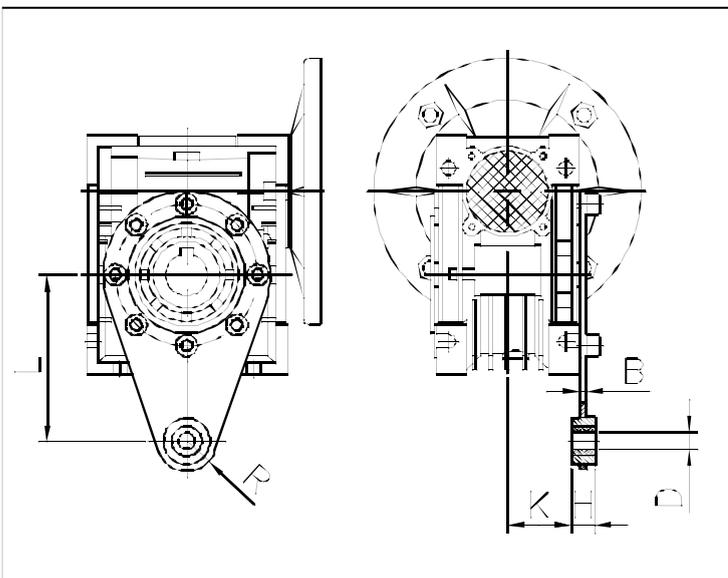
	J	d(h6)	K	m	b1	t1
030	45	9	20	-	3	10.2
040	53	11	23	-	4	12.5
050	64	14	30	M6	5	16
063	75	19	40	M6	6	21.5
075	90	24	50	M8	8	27
090	108	24	50	M8	8	27
110	135	28	60	M10	8	31
130	155	30	80	M10	8	33

蜗轮输出轴 (SS, DS) 尺寸 / OUTPUT SHAFT (SS, DS) DIMENSIONS



	d(h6)	T	T1	L1	Z	Z'	m	b1	t1
030	14	30	32.5	63	102	128	M6	5	16
040	18	40	43	78	128	164	M6	6	20.5
050	25	50	53.5	92	153	199	M10	8	23
063	25	50	53.5	112	173	219	M10	8	23
075	28	60	63.5	120	192	247	M10	8	31
090	35	80	84.5	140	234	309	M12	10	38
110	42	80	84.5	155	249	324	M16	12	45
130	45	80	85	170	265	340	M16	14	48.5

扭力臂 (A) 尺寸 / TORQUE ARM (A) DIMENSIONS



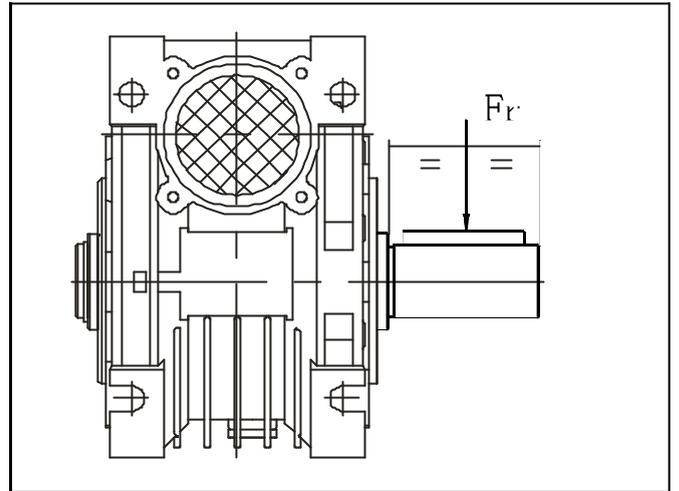
	I	L	K	D	R	B
030	85	14	24	8	15	4
040	100	14	31.5	10	13	4
050	100	14	38.5	10	13	4
063	150	14	49	10	13	6
075	200	25	47.5	20	30	6
090	200	25	57.5	20	30	6
110	250	30	62	25	35	6
130	250	30	69	25	35	6

REDUCERS

减速机出力轴的许可径向加载力 (lbs) (英制系列INCH SERIES)

ALLOWED RADIAL LOADING POWER ON OUTPUT SHAFT OF REDUCER(N)

1	η_2	RV030	RV040	RV050	RV063	RV075	RV090	RV110	RV130
5	280	135	259	357	464	546	605	763	997
7.5	186	155	298	412	535	630	697	879	1150
10	140	171	327	452	587	691	765	965	1262
15	94	195	375	517	672	792	876	1105	1445
20	70	215	412	568	739	870	962	1214	1588
25	56	232	446	615	800	942	1042	1315	1720
30	47	245	470	648	843	992	1098	1385	1812
40	35	271	520	717	933	1098	1215	1533	2005
50	28	292	559	772	1004	1182	1308	1649	2158
60	24	311	596	823	1070	1260	1394	1758	2300
80	18	341	654	903	1174	1382	1530	1930	2524
100	14	369	707	976	1269	1494	1653	2085	2728



-表中各数值为作用于出力轴中点的许可加载力。

-当减速机为双出轴时，折算到轴端点的径向合力不能超过表中规定的数值。

-当径向力和轴向力同时施加时，最大许可的轴向推力为径向力的1/5。

-Above table is the allowed loading force on the midpoint of output shaft.

-When the reducer is with double output shafts, the resultant radial power at the edge of shaft should not exceed the values specified as in above table.

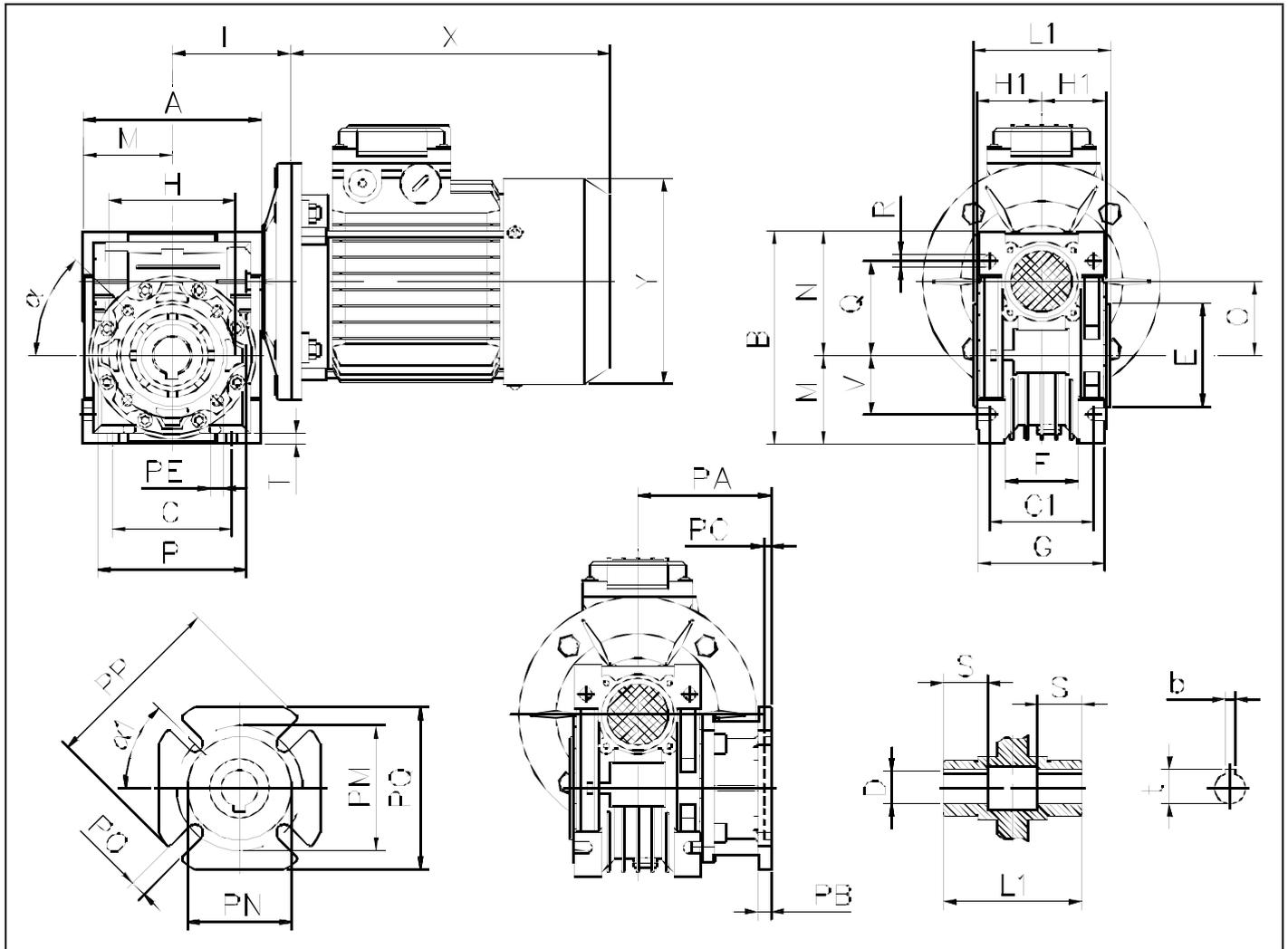
-The max allowed axial thrust is 1/5 of radial force while the radial force and axial force effected together.

NMRV减速机的电机配合接口 NMRV FORNEMA FLANGE

	NEMA Flange	Inputbore Diameter	5	7.5	10	15	20	25	30	40	50	60	80	100
NMRV030	48C	0.500												
NMRV040	56C	0.625												
NMRV050	56C	0.625												
NMRV063	56C	0.625												
	140TC	0.875												
NMRV075	56C	0.625												
	140TC	0.875												
	180TC	1.125												
NMRV090	56C	0.625												
	140TC	0.875												
	180TC	1.125												
NMRV110	140TC	0.875												
	180TC	1.125												
	210TC	1.375												
NMRV130	140TC	0.875												
	180TC	1.125												
	210TC	1.375												

REDUCERS

NMRV减速机尺寸 (英制系列 INCH SERIES) NMRV DIMENSIONS

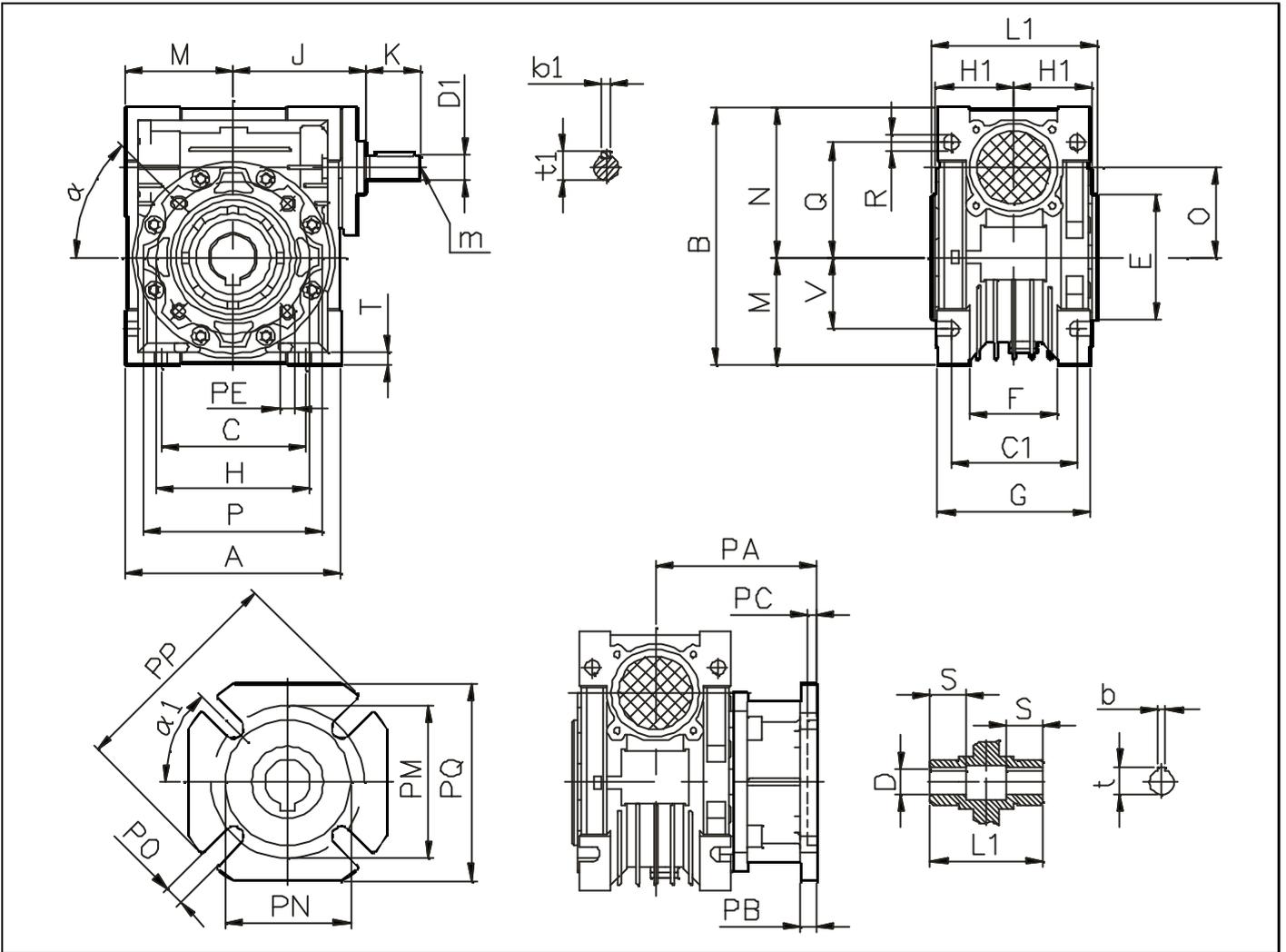


NMRV	A	B	C	C1	D(H7)	E(h8)	F	G	H	H1	I	L1	M	N	O	P	Q	R
030	3.15	3.82	2.13	1.73	0.625	2.17	1.26	2.20	2.56	1.14	2.64	2.48	1.57	2.24	1.18	2.95	1.73	0.26
040	3.94	4.78	2.76	2.36	0.750	2.36	1.69	2.80	2.95	1.44	3.15	3.07	1.97	2.81	1.57	3.43	2.17	0.26
050	4.72	5.67	3.15	2.76	1.000	2.76	1.93	3.35	3.35	1.71	3.54	3.62	2.36	3.31	1.97	3.94	2.52	0.33
063	5.67	6.85	3.94	3.35	1.125	3.15	2.64	4.06	3.74	2.09	4.13	4.41	2.83	4.02	2.48	4.33	3.15	0.33
075	6.77	8.07	4.72	3.54	1.250	3.74	2.83	4.41	4.53	2.24	4.96	4.72	3.39	4.69	2.95	5.51	3.66	0.43
090	8.11	9.37	5.51	3.94	1.375	4.33	2.91	5.12	5.12	2.64	5.63	5.51	4.06	5.31	3.54	6.30	4.02	0.51
110	10.04	11.61	6.69	4.53	1.625	5.12	-	5.67	6.50	2.91	6.81	6.10	5.02	6.59	4.33	7.87	4.92	0.55
130	11.54	13.19	7.87	4.72	1.750	7.09	-	6.10	8.46	3.19	7.60	6.69	5.77	7.38	5.12	9.84	5.51	0.63

NMRV	S	T	V	PA	P3	PC	PE	PM	PN(H8)	PO	PP	PQ	b	t	α	$\alpha 1$
030	0.827	0.22	1.06	2.15	0.24	0.16	M6x0.43(n=4)	2.68	1.97	0.26(n=4)	3.15	2.76	0.188	0.71	0°	45°
040	1.024	0.26	1.38	2.64	0.28	0.16	M6x0.32(n=4)	2.95	2.36	0.35(n=4)	4.33	3.74	0.188	0.84	45°	45°
050	1.181	0.28	1.57	3.54	0.35	0.20	M8x0.39(n=4)	3.35	2.76	0.43(n=4)	4.92	4.33	0.250	1.12	45°	45°
063	1.417	0.31	1.97	3.23	0.39	0.24	M8x0.55(n=8)	5.91	4.53	0.43(n=4)	7.09	5.59	0.250	1.24	45°	45°
075	1.575	0.39	2.36	4.37	0.51	0.24	M8x0.55(n=8)	6.50	5.12	0.55(n=4)	7.87	6.69	0.250	1.37	45°	45°
090	1.772	0.43	2.76	4.37	0.51	0.24	M10x0.71(n=8)	6.89	5.98	0.55(n=4)	8.27	7.87	0.313	1.52	45°	45°
110	1.969	0.55	3.35	5.16	0.59	0.24	M10x0.71(n=8)	9.06	6.69	0.55(n=8)	11.02	10.24	0.375	1.80	45°	45°
130	2.362	0.59	3.94	5.51	0.59	0.24	M12x0.83(n=8)	10.04	7.09	0.63(n=6)	12.60	11.42	0.375	1.93	45°	45°

REDUCERS

NRV减速机尺寸 (英制系列 INCH SERIES) NRV DIMENSIONS



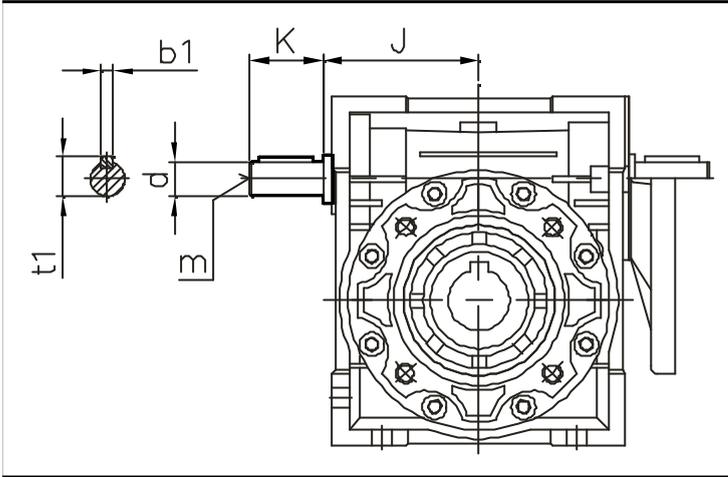
NRV	A	B	C	G1	D (H17)	D1 (G)	E (h8)	F	G	H	H'	J	K	L1	M	N	O	P	Q	R
030	3.15	3.82	2.13	1.73	0.625	0.375	2.17	1.26	2.20	2.56	1.14	2.64	1.18	2.48	1.57	2.24	1.18	2.95	1.73	0.26
040	3.94	4.78	2.76	2.36	0.750	0.500	2.36	1.69	2.80	2.95	1.44	3.15	1.18	3.07	1.97	2.81	1.57	3.43	2.17	0.26
050	4.72	5.67	3.15	2.76	1.000	0.625	2.76	1.93	3.35	3.35	1.71	3.54	1.58	3.62	2.36	3.31	1.97	3.94	2.52	0.33
063	5.67	6.85	3.94	3.35	1.125	0.750	3.15	2.64	4.06	3.74	2.09	4.13	1.97	4.41	2.83	4.02	2.48	4.33	3.15	0.33
075	6.77	8.07	4.72	3.54	1.250	0.875	3.74	2.83	4.41	4.53	2.24	4.96	2.36	4.72	3.39	4.69	2.95	5.51	3.66	0.43
090	8.11	9.37	5.51	3.94	1.375	0.875	4.33	2.91	5.12	5.12	2.64	5.63	2.36	5.51	4.06	5.31	3.54	6.30	4.02	0.51
110	10.04	11.61	6.69	4.53	1.625	1.125	5.12	-	5.67	6.50	2.91	6.81	2.76	6.10	5.02	6.59	4.33	7.87	4.92	0.55
130	11.54	13.19	7.87	4.72	1.750	1.250	7.09	-	6.10	8.46	3.19	7.60	3.15	6.69	5.77	7.38	5.12	9.84	5.51	0.63

NMRV	S	T	V	PA	P3	PC	PE	PM	PN(H8)	PO	PQ	b	b1	t	t1	m	α	$\alpha 1$	
030	0.827	0.22	1.06	2.15	0.24	0.16	M6x0.43(n=4)	2.68	1.97	0.26(n=4)	3.15	2.76	0.188	0.094	0.71	0.42	-	0°	45°
040	1.024	0.26	1.38	2.64	0.28	0.16	M6x0.32(n=4)	2.95	2.36	0.35(n=4)	4.33	3.74	0.188	0.125	0.84	0.55	1/4-20	45°	45°
050	1.181	0.28	1.57	3.54	0.35	0.20	M8x0.39(n=4)	3.35	2.76	0.43(n=4)	4.92	4.33	0.250	0.188	1.12	0.70	1/4-20	45°	45°
063	1.417	0.31	1.97	3.23	0.39	0.24	M8x0.55(n=8)	5.91	4.53	0.43(n=4)	7.09	5.59	0.250	0.188	1.24	0.83	1/4-20	45°	45°
075	1.575	0.39	2.36	4.37	0.51	0.24	M8x0.55(n=8)	6.50	5.12	0.55(n=4)	7.87	6.69	0.250	0.188	1.37	0.96	1/4-20	45°	45°
090	1.772	0.43	2.76	4.37	0.51	0.24	M10x0.71(n=8)	6.89	5.98	0.55(n=4)	8.27	7.87	0.313	0.188	1.52	0.96	1/4-20	45°	45°
110	1.969	0.55	3.35	5.16	0.59	0.24	M10x0.71(n=8)	9.06	6.69	0.55(n=8)	11.02	10.24	0.375	0.250	1.80	1.24	3/8-16	45°	45°
130	2.362	0.59	3.94	5.51	0.59	0.24	M12x0.83(n=8)	10.04	7.09	0.63(n=6)	12.60	11.42	0.375	0.250	1.93	1.36	1/2-13	45°	45°

REDUCERS

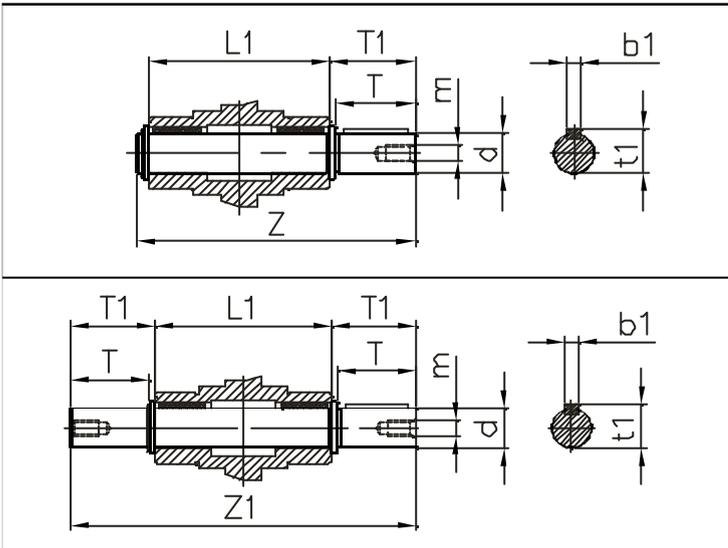
英制系列 INCH SERIES

蜗杆尾出轴 (E) 尺寸 / EXTENSION WORM SHAFT (E) DIMENSIONS



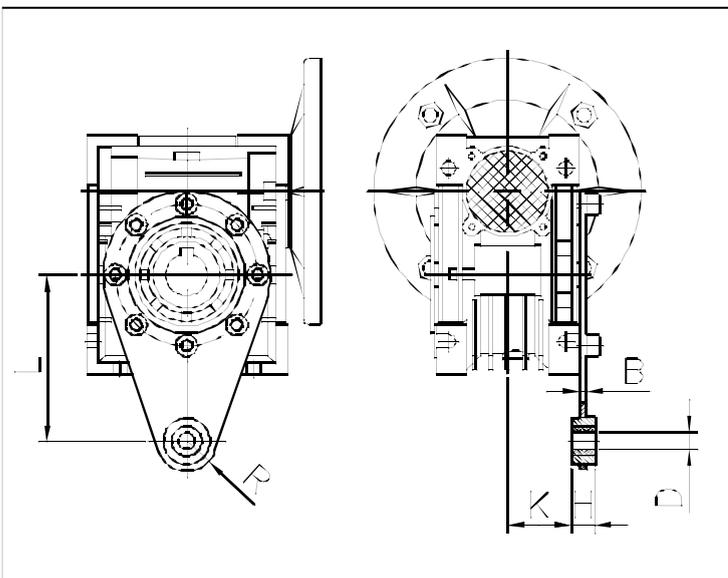
	J	d(G)	K	m	b1	t1
030	1.772	0.375	1.181	1/4-20	0.093	0.42
040	2.087	0.500	1.181	1/4-20	0.125	0.55
050	2.520	0.625	1.575	1/4-20	0.188	0.70
063	2.953	0.750	1.969	1/4-20	0.188	0.83
075	3.543	0.875	2.362	1/4-20	0.188	0.96
090	4.252	0.875	2.362	3/8-16	0.188	0.96
110	5.315	1.125	2.756	1/2-13	0.250	1.24
130	6.102	1.250	3.150	1/2-13	0.250	1.36

蜗轮输出轴 (SS, DS) 尺寸 / OUTPUT SHAFT (SS, DS) DIMENSIONS



	d(h6)	T	T1	L1	Z	Z'	m	b1	t1
030	0.625	1.58	1.67	2.48	4.32	5.83	1/4-20	0.188	0.70
040	0.75	1.97	2.09	3.07	5.36	7.24	1/4-20	0.188	0.83
050	1.000	1.97	2.11	3.62	5.95	7.83	3/8-16	0.250	1.11
063	1.125	2.36	2.50	4.41	7.13	9.41	3/8-16	0.250	1.23
075	1.250	2.76	2.89	4.72	7.82	10.51	1/2-13	0.250	1.36
090	1.375	3.15	3.33	5.51	9.10	12.13	1/2-13	0.313	1.51
110	1.625	3.54	4.13	6.10	10.90	16.14	5/8-11	0.375	1.79
130	1.750	3.54	3.74	6.69	10.71	14.17	5/8-11	0.375	1.92

扭力臂 (A) 尺寸 / TORQUE ARM (A) DIMENSIONS



	I	H	K	D	R	B
030	3.35	0.55	0.94	0.31	0.59	0.16
040	3.94	0.55	1.24	0.39	0.71	0.16
050	3.94	0.55	1.52	0.39	0.71	0.16
063	5.91	0.55	1.93	0.39	0.71	0.24
075	7.87	0.98	1.87	0.79	1.18	0.24
090	7.87	0.98	2.26	0.79	1.18	0.24
110	9.84	1.18	2.44	0.98	1.38	0.24
130	9.84	1.18	2.72	0.98	1.38	0.24